

REV.	DESCRIPTION	DRAWN	CHECKED	APPROVED
A	NEW RELEASE	LJH 04/27/05'		

Dimension

Position	A±0.2	B±0.4	C±0.4	D±0.2
20	5.08	15.58	18.30	10.16
28	7.62	18.10	22.20	12.70
32	7.62 10.16	18.80 21.30	25.70	12.70 15.24
44	12.70	23.50	29.80	17.78
52	15.24	26.00	32.64	20.32
68	20.32	30.20	40.10	25.40
84	25.40	35.20	46.90	30.48

NOTES:

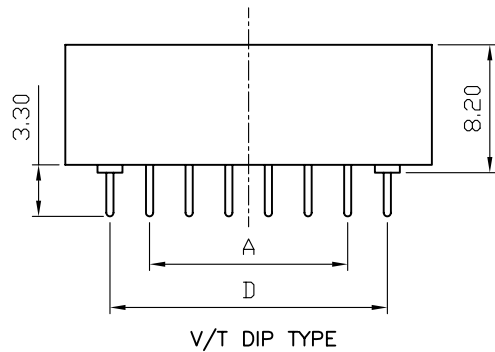
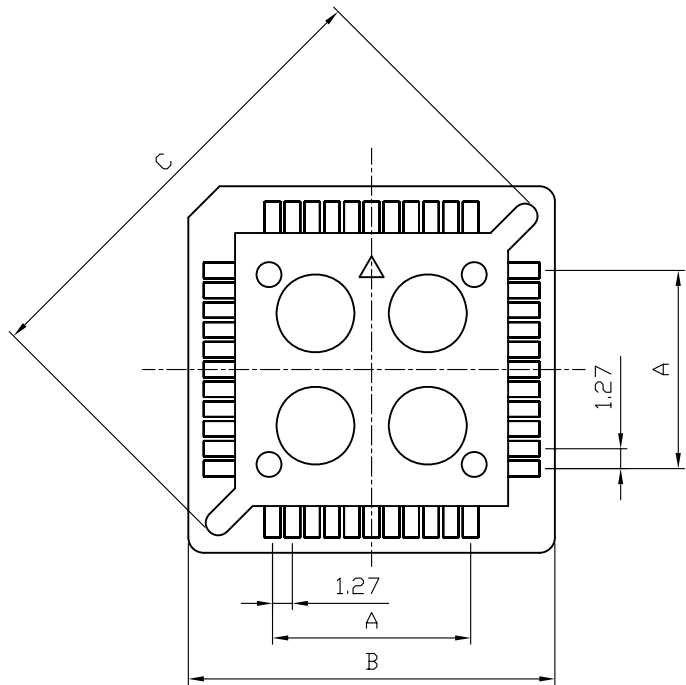
- MATERIAL
 - INSULATOR:THERMOPLASTIC(UL 94V-0).
 - CONTACT: COPPER ALLOY.
- SPECIFICATION
 - STORAGE TEMPERATURE:-20-70°C.
 - OPERATING TEMPERATURE:0-85°C.
 - CONTACT RESISTANCE:20mΩ max.
 - INSULATION RESISTANCE:1000MΩ min.
 - DIELECTRIC WITHSTANDING VOLTAGE:AC 500V PER MINUTE.

3. PART NUMBER: DS1032

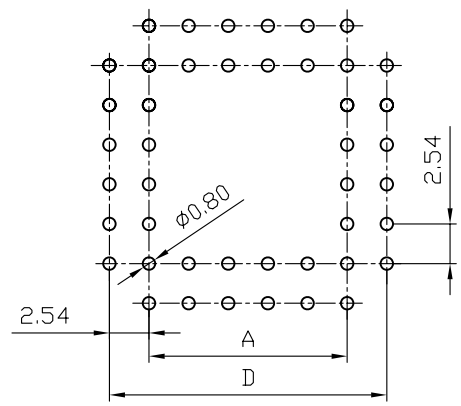
4. PRODUCT NUMBER CODE:

DS1032- X X X X X X X

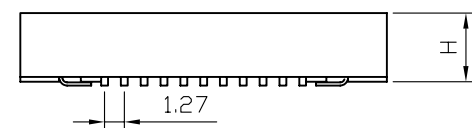
- PACKING
- A: TUBE
- B: TAPE & REEL
- PROFILE HEIGHT(DIM. H)
- L: 4.6mm
- S: 4.3mm(32P ONLY)
- CONTACT PLATING
- T1: Tin.
- HOUSING COLOR
- B: BLACK
- N: BROWN
- MOUNTING TYPE
- S: SMT
- D: V/T DIP
- HOUSING MATERIAL
- S: PPS
- No.OF CONTACTS
- 20 28 32 44
- 52 68 84



V/T DIP TYPE



RECOMMEND PCB(V/T TYPE) LAYOUT
TOLERANCE=±0.05



SMT TYPE

GENERAL TOLERANCE		ANGLE TOLERANCE		PROJECTION		TITLE	PLCC SOCKET DIP & SMT		
X.	±0.60	X.	±5°	UNITS	mm	SERIES	DS1032 SERIES		
.X	±0.38	.X	±3°	SHEET SIZE	A4	PLCC-20	PLCC-52	PLSM-28	PLSM-68
.XX	±0.25	.XX	±2°	DRAWING TYPE	CUSTOMER	PLCC-28	PLCC-68	PLSM-32	PLSM-84
SCALE	1:1	SHEET	1 OF 1	DRAWING NO.	C-DS1032-XXXXXX	PLCC-32	PLCC-84	PLSM-44	
						PLCC-44	PLSM-20	PLSM-52	