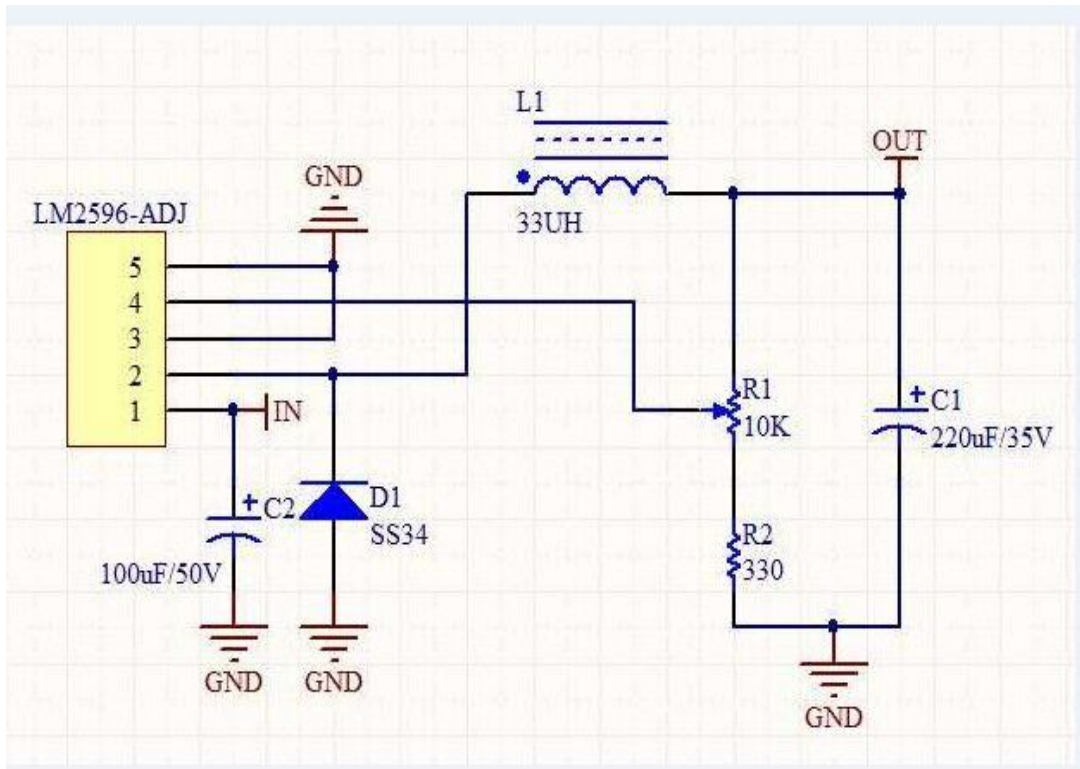
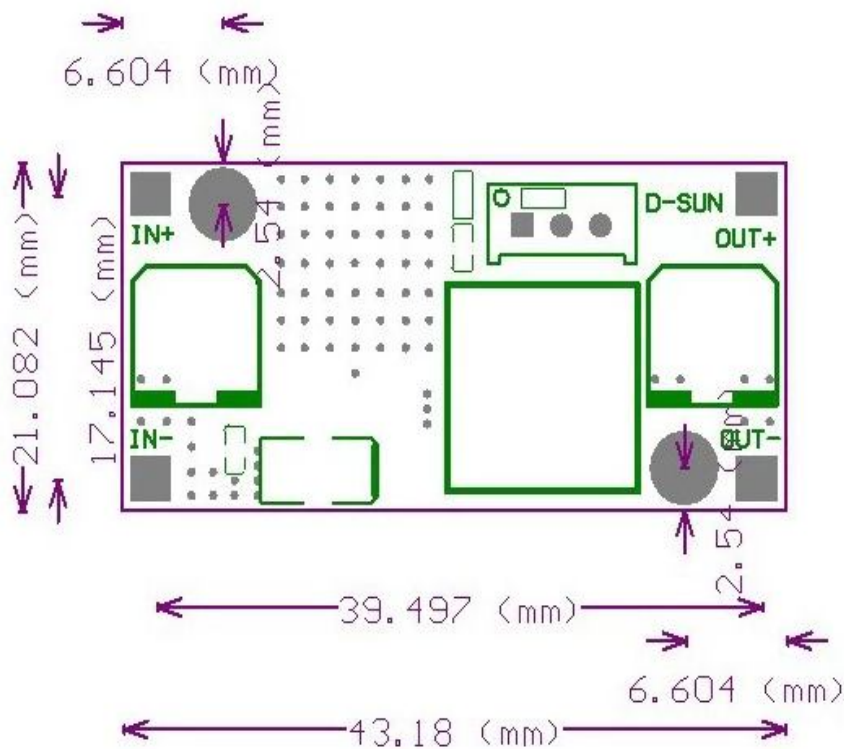


LM2596

schematic diagram:



Size



Feature:

Input voltage: 4V-35V

Input Current: 3A (max.)

Output voltage: 1.23V to 30V

Switching frequency: 150kHz

Load regulation: +- 5%

Working temperature: -40C to +85C

Rectification mode: non-synchronous rectification

Conversion efficiency: 92%

Output ripple: 30mV(max.)

Voltage regulation: +- 2.5%

Overall dimensions: 48mm x 23 mm x 14 mm