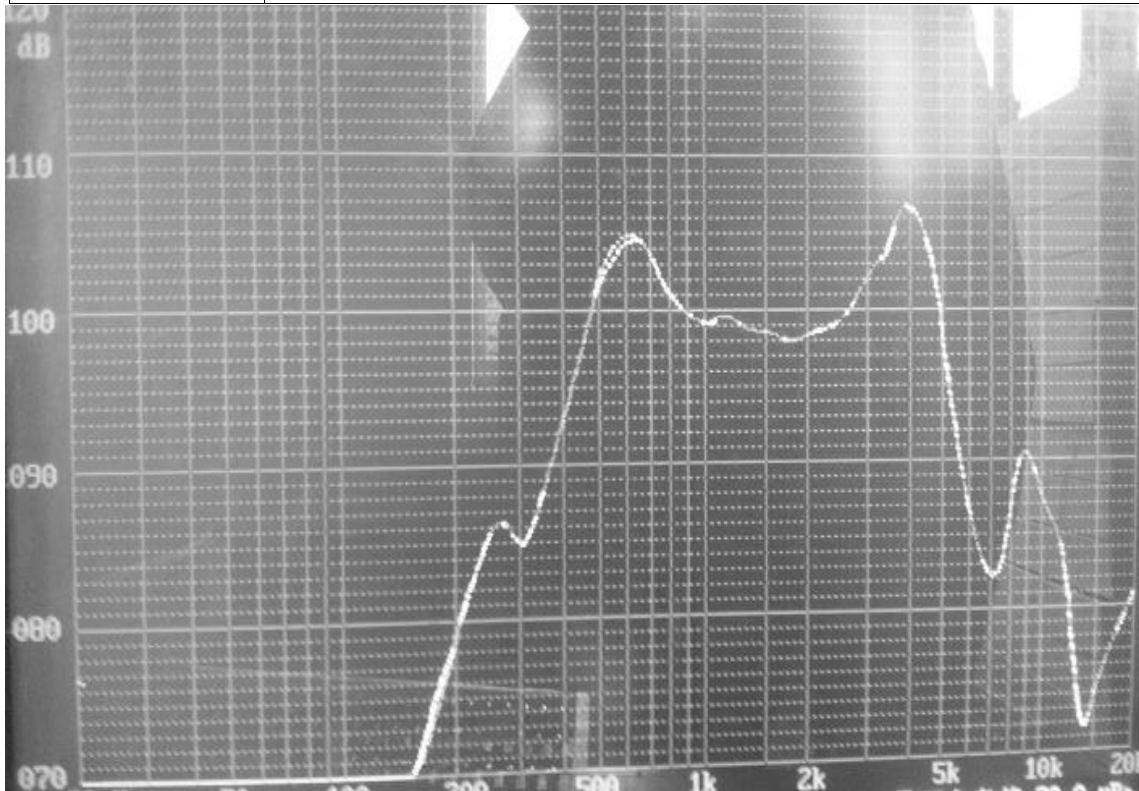


# SPECIFICATION FOR APPROVAL

<b>RUICHI</b>	No	S1422
d=40MM 32 Ohm 0,5W		Pages 1

## 1.General performance

Product model	<b>Φ40x5 32Ω 0.5W</b>
Electric resistance	<b>32±20% at 1 kHz</b>
Sensitivity	<b>100±2dB</b>
Frequency response (F0)	<b>450Hz-550Hz</b>
Testing device	<b>JH6160(R)</b>
Voltage input	<b>1.5V</b>



## 2.Ambient performance

Operating temperature	<b>-20°C 0 +50°C</b>
Operating humidity	<b>30%~75%RH ( NO dew condensation)</b>
Ambient temperature for storage	<b>-20°C 0 +50°C</b>
Ambient humidity for storage	<b>20%~80% (Water vapor pressure 6643pa Max)</b>
Storage life	<b>1year</b>

**RUICHI**

No

S1422

d=40MM 32 Om 0,5W

Pages 2

**3. Reliability performance**

	Item	Conditions	Performance requirement	Devices used
	High-temperature resistance	50°C ± 2°C 30h	No deformation	
	Low-temperature resistance	-20°C 30h	No deformation	
	Temperature shock	-20°C -50°C	No deformation	
	Humidity resistance	50 ± 2°C 80%30h	No deformation	
	Weldability	300 ± 5°C 3 ± 0.5s		
	Resistance to welding Heat	300 ± 5°C \2.5sec.		
	Vibration	Vibration: 10-45HZ; 1mm 10G; 10 ~ 45 ~ 10HZ; X, Y, Z Vibration 1h	Still can work properly	
	Drop	Height 75 ± 5CM Drop 2CM Wood board Three times		

# RUICHI

No

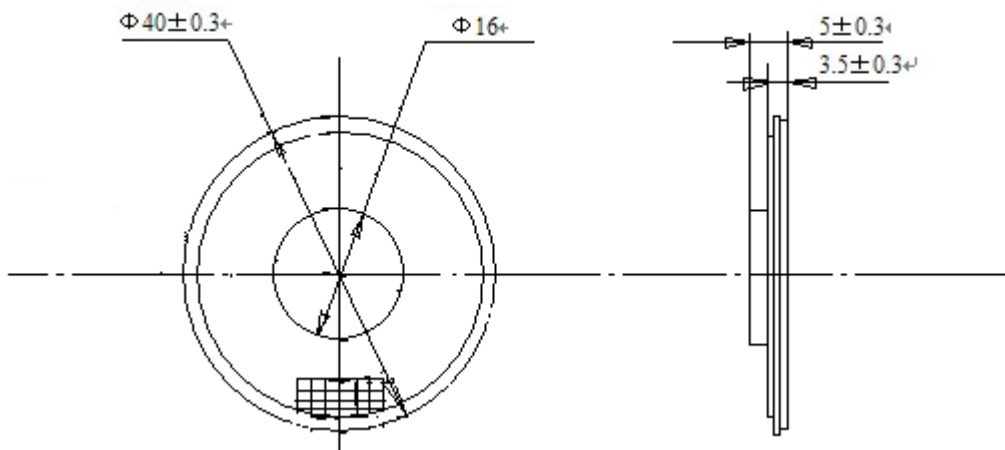
S1422

d=40mm 32 Om 0,5W

Pages 3

## 4: Physical dimension and performance

	(mm)
External diameter	$40 \pm 0.3$ mm
Height	$5 \pm 0.3$ mm



<b>RUICHI</b>	No	S1422
d=40MM 32 Om 0,5W		Pages 4

## 5, List of material

Material designation		Material composition	content (%)	note
Enclosure	HY000102	Sheet metal	65	
Metallic gasket	HY000003	Sheet metal	5	
Magnet	HY000058	Magnet	25	
Terminal board	HY000006	Copper	5	

## 6. Visual inspection criteria

		Rating of importance	Criteria	How to check	Criteria
Visual appearance	Soldering tin	A	G-II,AQL=0.25	By visual inspection	No fading.
	Enclosure	B	G-II,AQL=0.25	By visual inspection	No bad color distortion
	Product identification	B	G-II,AQL=0.01	By visual inspection	Legible writing

## 7. Welding temperature

$300 \pm 5^{\circ}\text{C}$

## 8, Welding interval

$2 \pm 0, 5\text{S}$ .  $\Delta f/f < 10\text{ppm}$ ,  $\Delta \text{RS} < 10\%$

<b>RUICHI</b>	No	S1422
d=40MM 32 Om 0,5W		Pages 5

## 9, Storage and operating conditions

- 1, Ambient temperature for storage: -20°C+50°C
- 2, Ambient humidity for storage: 20%-80%
- 3, Operating life:  $\geq 1$  year

## 10, Manufacturer

Product model:  $\Phi 40 \times 5 \quad 32 \Omega \quad 0.5W$

Manufacturer: RUI CHI

Packaging: Carton

Net weight: 17KG      Gross weight: 18KG

## 11, Packaging

	<b>SHIPPING MARK</b>		
<b><u>Outer packing</u></b>	<b><u>Carton</u></b>		
<b><u>Inner packing</u></b>	<b><u>Foam box</u></b>		

- 1, Quantity per box: 200PCS
- 2, Quantity per carton: 2000PCS