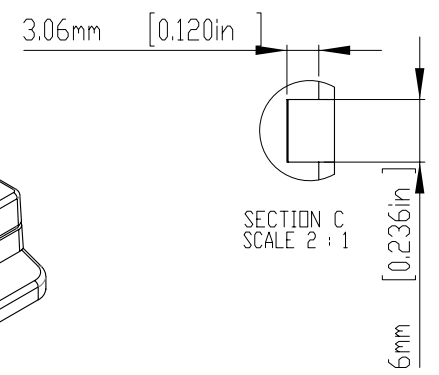
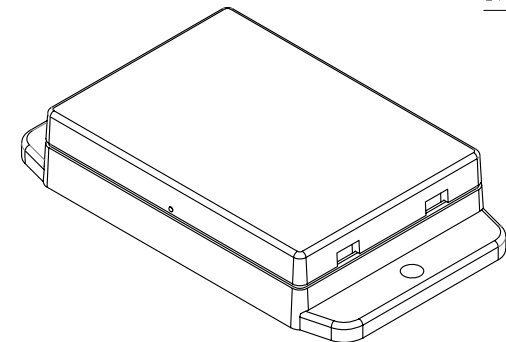
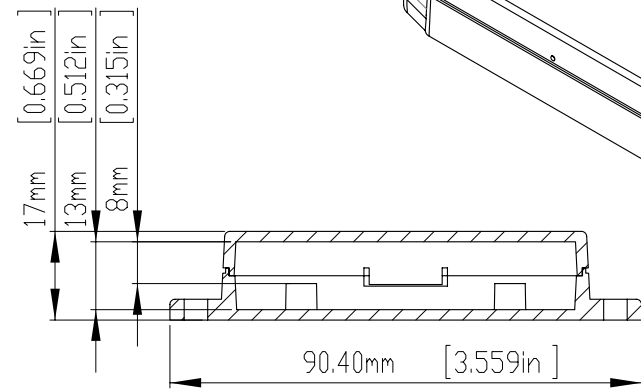
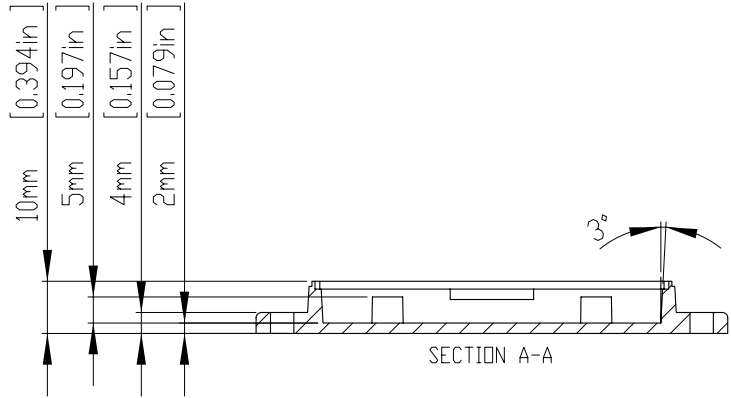
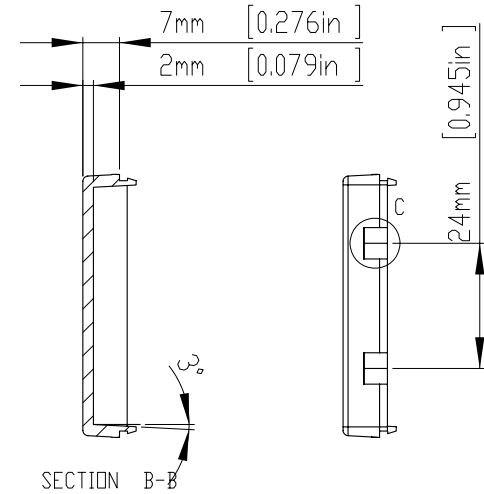
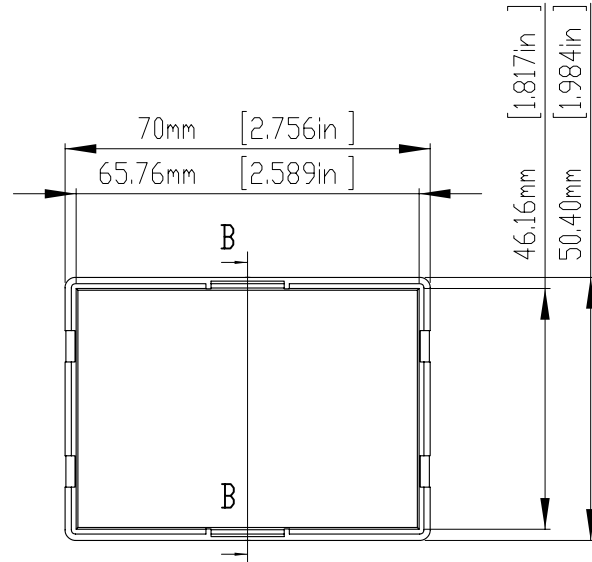


HOLES(4) ARE DESIGNED FOR M2.6X6mm SELF-TAPPING SCREWS USE.
 WALL MOUNTING HOLES(2) X DIA.4.5mm FOR PAN HEAD(M4) TAPPING SCREWS USE.



According to ISO 2768-m

| Measuring DIM=L | Tolerances |
|--------------------|------------|
| 0.5<L<=3.0mm | ±0.1mm |
| 3.0<L<=6.0 mm | ±0.1mm |
| 6.0<L<=30.0 mm | ±0.2mm |
| 30.0<L<=120.0 mm | ±0.3mm |
| 120.0<L<=400.0 mm | ±0.5mm |
| 400.0<L<=1000.0 mm | ±0.8mm |

| ITEM | DESCRIPTION | MATERIAL | COLOR | PANTONE COLOR CORD | CLOSE TO RAL CORD |
|------|-------------|--------------|--------|--------------------|-------------------|
| 1 | NUB705017BK | ABS<UL94-HB> | BLACK | PANTONE BLACK U | RAL 9005 |
| 2 | NUB705017WH | ABS<UL94-HB> | WHITE | PANTONE 420C | RAL 9002 |
| 3 | NUB705017OR | ABS<UL94-HB> | ORANGE | PANTONE 165C | RAL 2004 |
| 4 | NUB705017RD | ABS<UL94-HB> | RED | PANTONE 186C | RAL 3027 |

宣又實業有限公司
GAINTA INDUSTRIES LTD.

繪圖 DRA'D BY
JACKY

日期 DATE
2013/10/01

材質 MATE.
ABS

圖名TITLE:
NUB705017

圖號DWG NO:

版次REVISID:
A