

ITEM:MFC 1x2F pitch 4.5 mm+Terminal

Main Specifications

Housing :PA66(UL94V-0-V-2)

(poles) :2

(Current rating) : 10A AC, DC

(Voltage rating) : 300V AC, DC

(Temperature range) : -25°C to +85°C

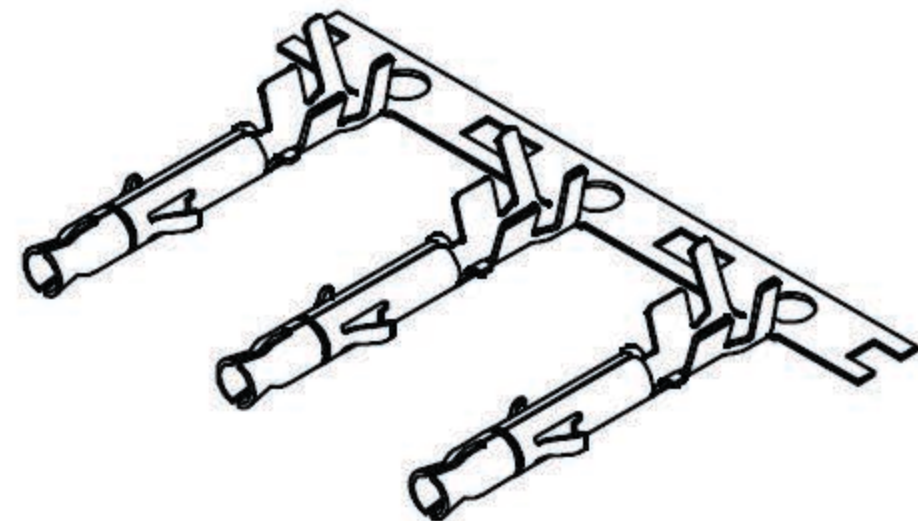
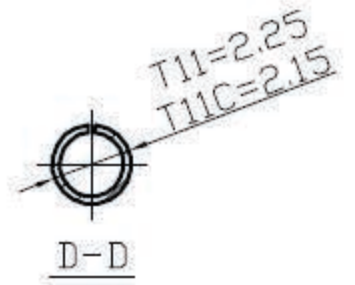
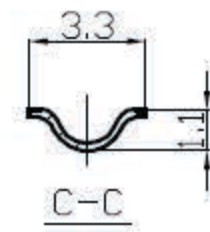
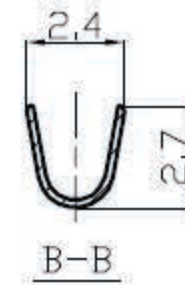
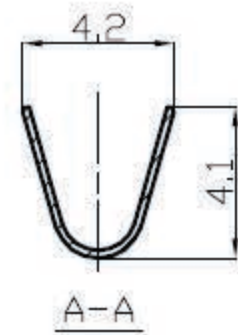
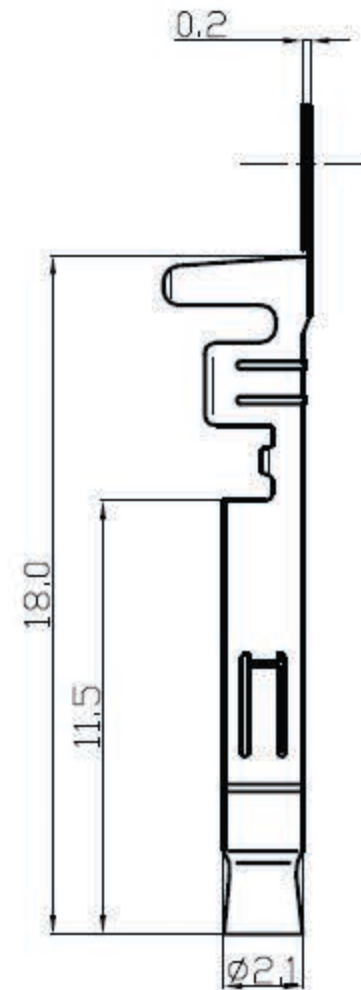
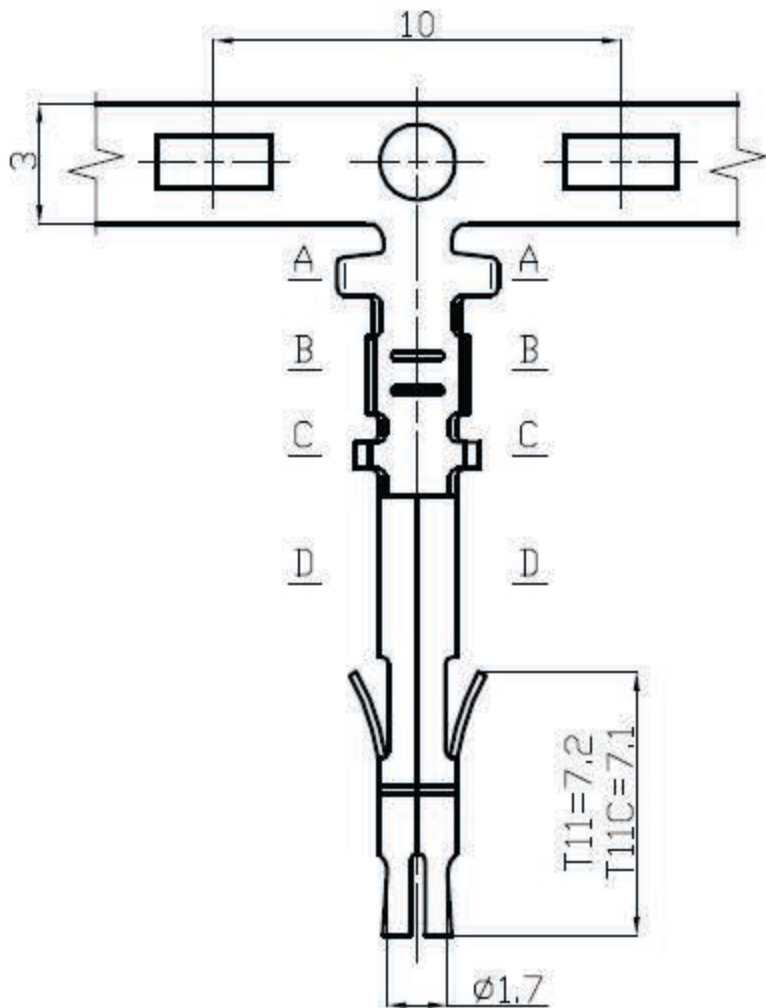
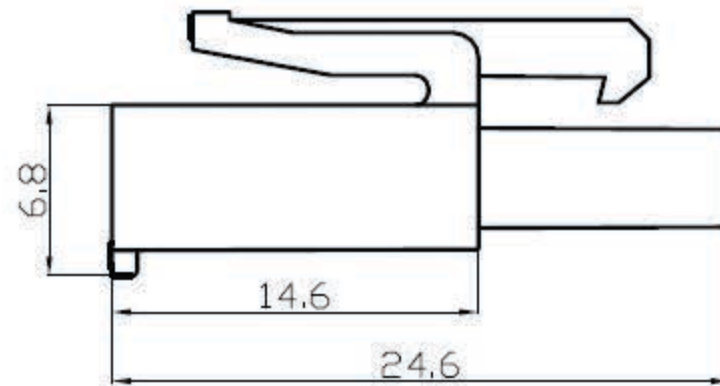
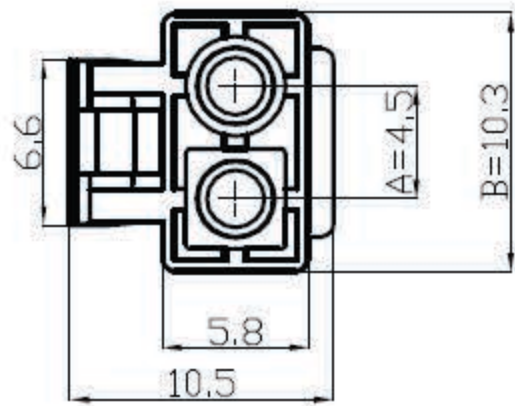
(Contact resistance) : $\leq 10\text{m}\Omega$

(Insulation resistance) : $\geq 1000\text{M}\Omega$

(Withstand voltage) : 1500V AC/minute

(Applicable wire) : AWG #24 to #20

(Applicable PC board thickness) : 1.6to2.0mm



RUICHI