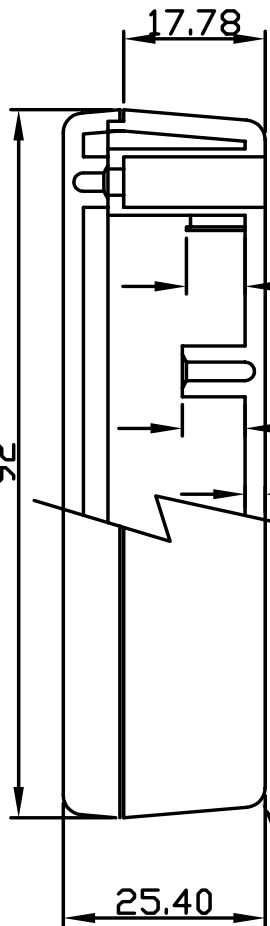


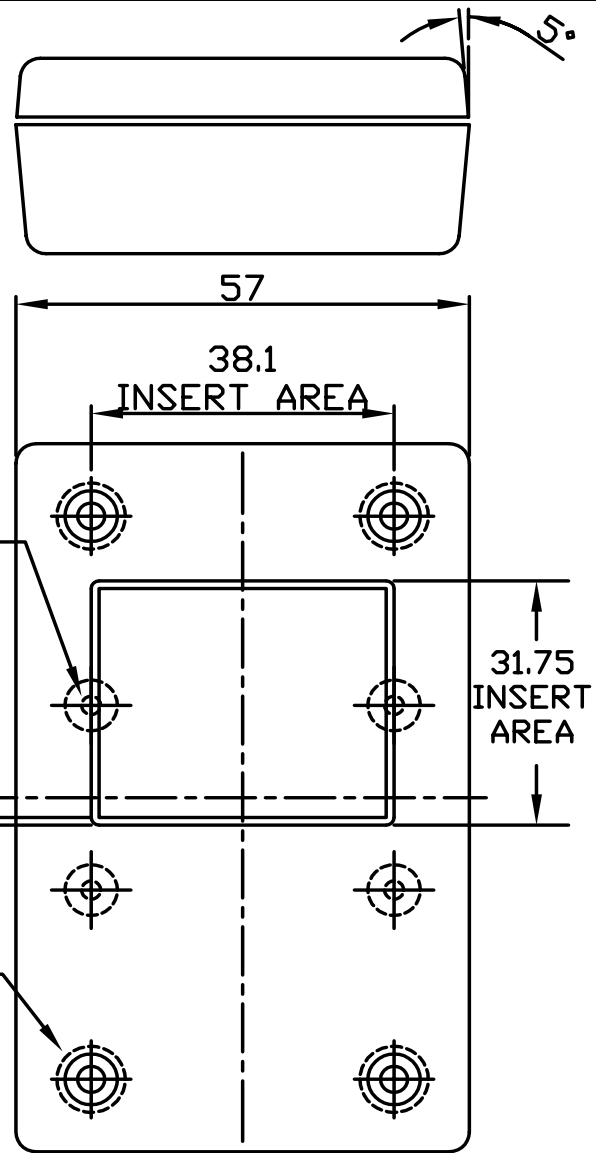
TOP VIEW



Internal PCB pillars  
(6.60 $\phi$ ) with  
self-tapping screws  
holes (2.39 $\phi$ )

(1.02)wide  
(0.51)deep

Counterbored for  
self-tapping screws  
4 plc's



BOTTOM VIEW

宣又實業有限公司  
GAINTA INDUSTRIES LTD.

設計 DES'D BY	繪圖 DRA'D BY	核圖 CHK'D BY	比例 SCALE	日期 DATE	材質 MATE.	圖名 TITLE	圖號 DWG NO.	圖號 REVISED	說明 DESCRIPTION
					ABS	G1200			