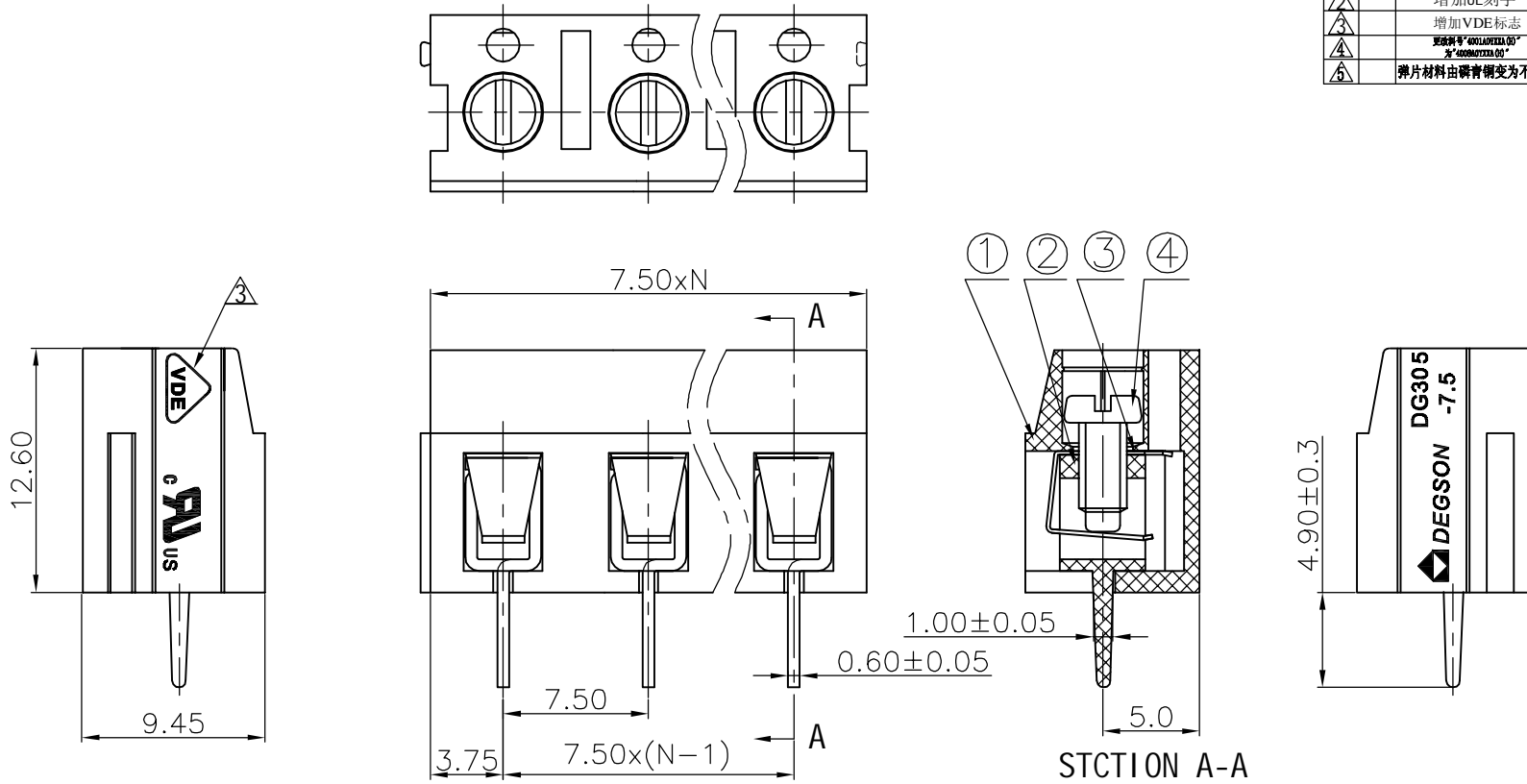


REVISION RECORD				
REV	ECO	DESCRIPTION	DRFT	DATE
△		Drawing Revise	Haoyh	03/28/06
△		增加UL刻字	CSX	06/18/07
△		增加VDE标志	LJH	12/24/07
△		规格号由"04008A0YXXA"变为"4008A0YXXA"	LJH	07/03/08
△		弹片材料由磷青铜变为不锈钢	YHG	07/07/09



Notes:

1. Pitch: 7.5mm , Poles: 2-XXP
2. Rated voltage/current: UL 300V/15A
VDE 250V/20A
3. Operation temperatures: -30°C ~ +120°C
4. Withstanding Voltage: AC2000V/1Min
5. Insulation Resistance: 5000MΩ/DC1000V
6. Wire Range: 12~18AWG, 2.5mm²
7. Max. Torque Value: M2.5, 4.08kgf.cm
8. Undimensioned Tolerances:

Pitch range in mm		Nominal dimension range in mm						
to	over	over 6 to 10	over 10 to 24	over 24 to 30	over 30 to 60	over 60 to 100	over 100 to 150	
±0.10	±0.15	±0.25	±0.2	±0.3	±0.5	±0.7	±1.0	0.05/1.0

ITEM	NAME OF PART	NO. OF PART	Q'TY	MATERIAL	NOTES
4	DG305-Screws	S000001620 (H)	XX	Steel	Cr ³⁺ Zn
3	DG305-Spring	X000000260 (H)	XX	Stainless steel	
2	DG305-Pin header	4003B00010 (H)	XX	Brass	SnCe
1	DG305-7.5-Housing	△4008A0YXXA (H)	1	PBT	UL94V-0

DETAILED LISTS	MM (INCH)	DFTO Haoyh	DATE 02/01/05
		CHKD	DATE
		MFO	DATE
		APPVL	DATE
		MATERIAL :	
		G.E :	
		FINISH :	
		SCALE : 1:1	

THIRD ANGLE PROJECTION			

		宁波高正电子有限公司 DEGSON ELECTRONICS CO., LTD	
NAME			
DG305-7.5-XXP-1Y-00A(H)			
DRAWING NO. DG305-7.5-E02		SIZE	REV
/PART NO.		A3	T5
			07/03/08