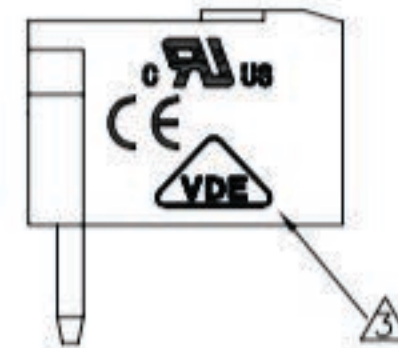
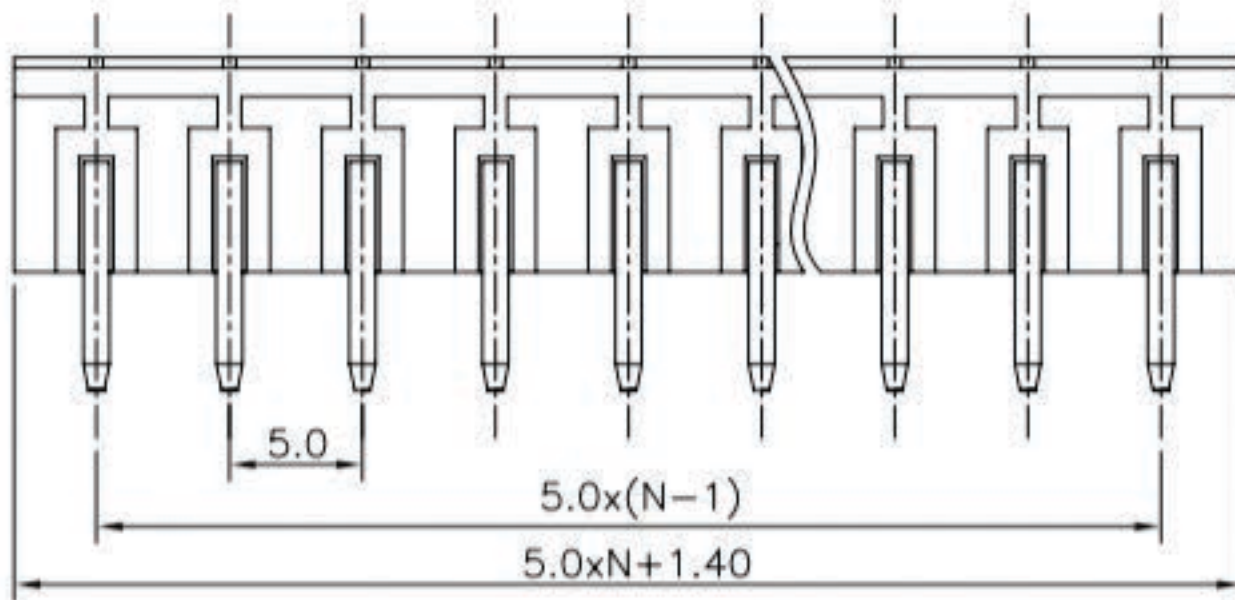
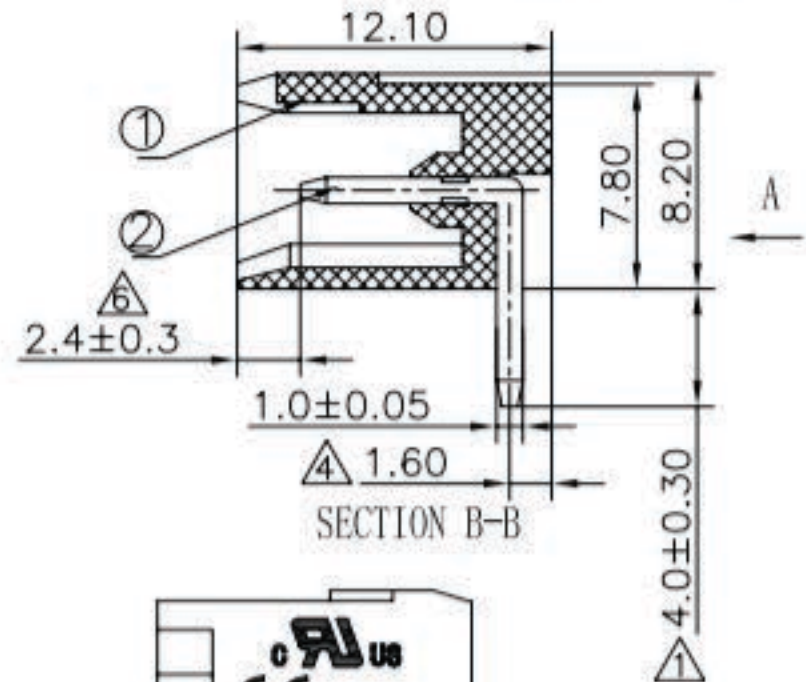
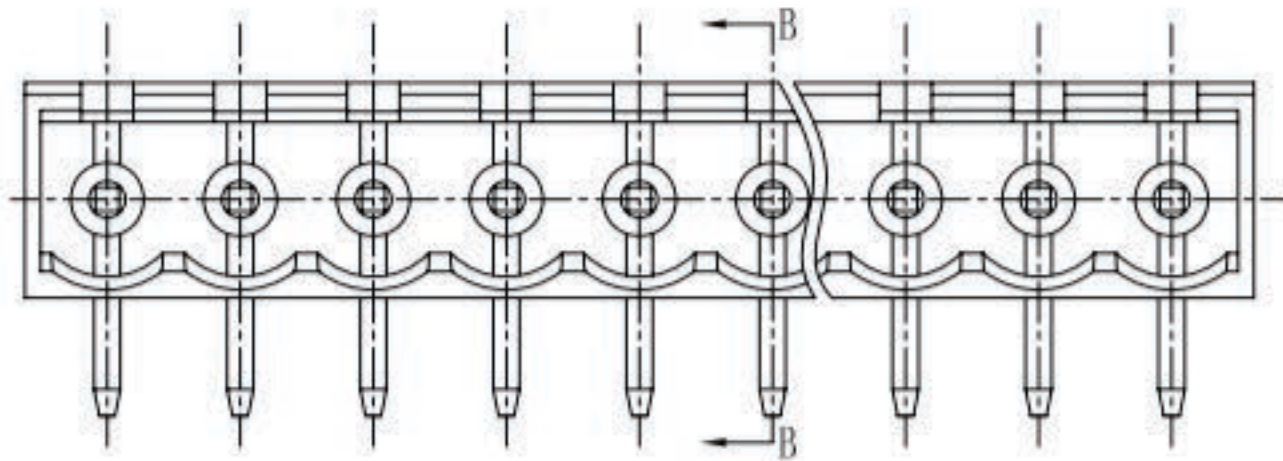


REVISION RECORD				
REV	ECO	DESCRIPTION	DRFT	DATE
△		4.5±0.1更改到4.0±0.3	DZJ	05/14/05
△		图面更新	C SX	04/08/06
△		增加VDE, CE刻字	YeJ	02/26/08
△		更新图面	LJH	04/16/08
△		增加自动化方针	WLM	09/23/08
△	0-339	增加标注尺寸	COCO	10/04/10



VIEW A

Notes:

1. Pitch: 5.0mm, Poles: 2-24P
2. Rated voltage/current: UL 300V/15A
VDE 320V/20A
3. Operation temperatures: -40°C ~ +105°C
4. Withstanding Voltage: AC2000V/1min
5. Insulation Resistance: 5000MΩ/DC1000V
6. Undimensioned Tolerances:

Pitch range in mm			Nominal dimension range in mm					
to	over	to	to	to	to	to	to	
6	6	10	30	60	100	150		∩
6	10	24	30	60	100	150		◇
±0.10	±0.15	±0.25	±0.2	±0.3	±0.5	±0.7	±1.0	0.05/10

ITEM	NAME OF PART	NO. OF PART	Q'TY	MATERIAL	NOTES
2	2EDGR-Pin header	1008B00120(H)	XX	Brass	Automatic assembly
2	2EDGR(A)-Pin header	1008B00040(H)	XX	Brass	Manual assembly
1	2EDGRC-5.0 Housing	1019A0YXXA(H)	1	PA66	UL94V-0

MM (INCH)	DFTD HW	DATE 05/05/05	宁波高正电子有限公司 DEGSON ELECTRONICS CO., LTD
TOLERANCES EXCEPT AS NOTED	CHKD	DATE	
	MFD	DATE	
	APPVL	DATE	
MM	MATERIAL :		NAME
∅ ±	∅ ±		2EDGRC-5.0-XXP-1Y-00A(H)
∅∅ ±	∅ ±		DRAWING NO. 2EDGRC-5.0-E02
∅∅∅ ±	∅ ±		/PART NO.
ANGLES ± 1°	G.E :		SIZE REV
THIRD ANGLE PROJECTION	FINISH :		A3 T6
	SCALE : 1:1		10/04/10
	DO NOT SCALE DRAWING		SHEET 1 OF 1