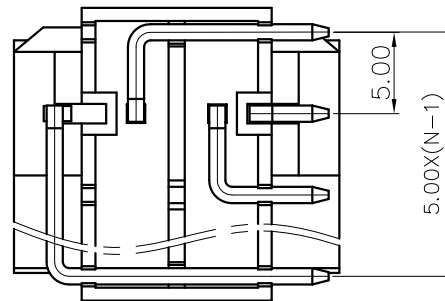
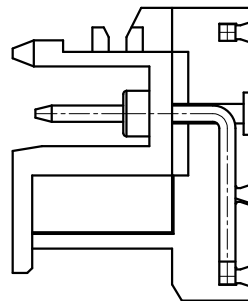
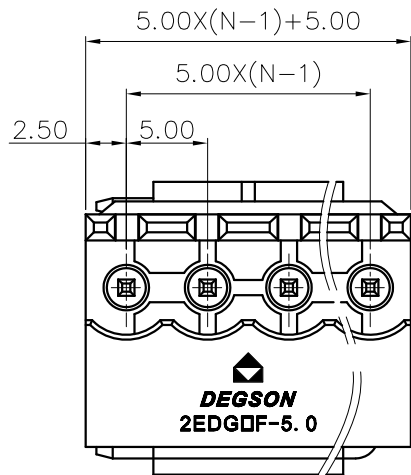


REVISION RECORD				
REV	ECN	DESCRIPTION	DRFT	DATE



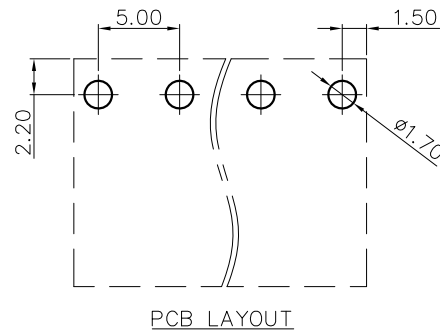
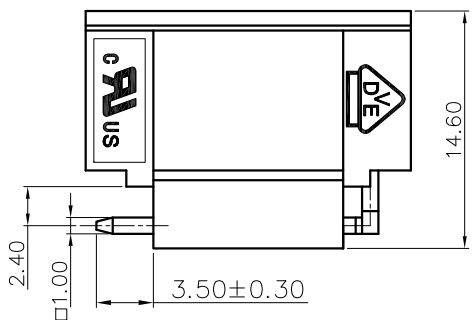
NOTES1:  
 UL Standard  
 1.Rated voltage/current : 300V / 15A  
 2.Withstanding voltage : AC1600V/1Min.  
 IEC Standard

Pollution degree	2
Overvoltage category	III
Rate impulse voltage(KV)	4.0KV
Rate voltage(V)	320V
Rate current(A)	20A

NOTES2:  
 1.Dimension shall be interpreted per ASME Y14.5-2009  
 2.Pitch : 5.0mm, Poles : N=02~04P  
 3.Operating temperature: -40°C~+105°C  
 4.Undimensioned tolerances:

Pitch range in mm		Nominal dimension range in mm					
TO	Over TO	TO	Over TO	Over TO	Over TO	0.1/10	
6	10	30	60	100	150		
±0.15	±0.20	±0.30	±0.30	±0.50	±0.70	±1.00	±1.30
							±2'

5.RoHS Compliance



2EDGLF - 5.0 - XXP - 1Y - 00A (H)  
 (Series No.) (Pitch) (Poles) (Single Pitch) (Color):1.(Grey)  
 2.(Blue)  
 3.(Black)  
 4.(Green)  
 5.(Orange)  
 6.(Red)  
 7.(Transparent)  
 8.(Yellow)  
 9.(White)

DETACHED LISTS	PART NO.:	NINGBO DEGSON ELECTRICAL CO., LTD			
	APPD:	NAME: 2EDGLF-5.0-XXP-1Y-00A(H)			
	CHKD:	TITLE: CUSTOMER DRAWING		REV	DO
	DRFT:	DRAWING NO.:		SHEET	1/1
THIRD ANGLE PROJECTION		MM (INCH)	DO NOT SCALE DRAWING	SCALE	1:1