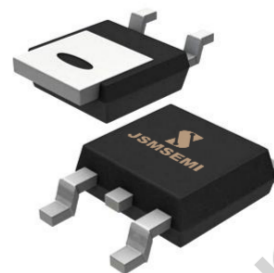
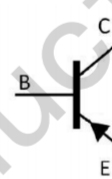


DESCRIPTION

- Low Collector-Emitter Saturation Voltage
: $V_{CE(sat)} = 1.0V(\text{Max}) @ I_C = 8A$
- Fast Switching Speeds
- Complement to Type MJD44H11
- Minimum Lot-to-Lot variations for robust device performance and reliable operation


APPLICATIONS

- Designed for general purpose power amplification and switching such as output or driver stages in applications such as switching regulators, converters and power amplifier.


ABSOLUTE MAXIMUM RATINGS ($T_a = 25^\circ\text{C}$)

SYMBOL	PARAMETER	VALUE	UNIT
V_{CEO}	Collector-Emitter Voltage	-80	V
V_{EBO}	Emitter-Base Voltage	-5	V
I_C	Collector Current-Continuous	-8	A
I_{CM}	Collector Current-Peak	-15	A
P_C	Collector Power Dissipation @ $T_C = 25^\circ\text{C}$	50	W
T_j	Junction Temperature	-55~150	$^\circ\text{C}$
T_{stg}	Storage Temperature Range	-55~150	$^\circ\text{C}$

THERMAL CHARACTERISTICS

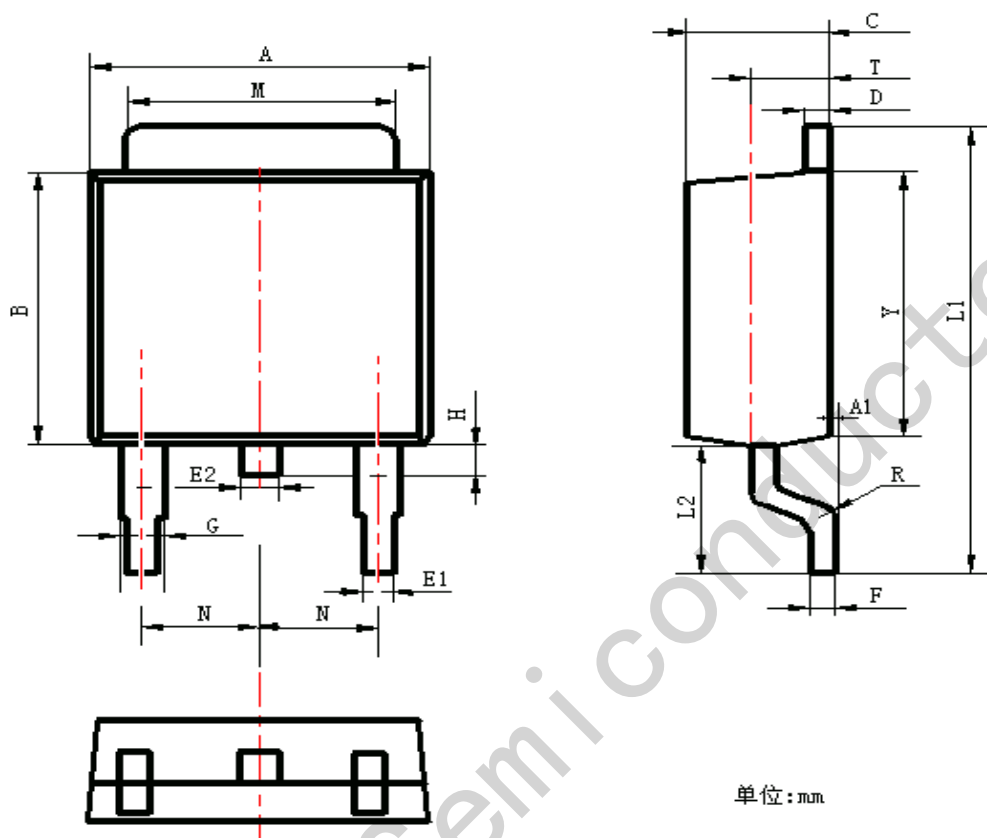
SYMBOL	PARAMETER	MAX	UNIT
$R_{th\ j-c}$	Thermal Resistance, Junction to Case	6.5	$^\circ\text{C/W}$
$R_{th\ j-a}$	Thermal Resistance, Junction to Ambient	75	$^\circ\text{C/W}$

ELECTRICAL CHARACTERISTICS

 T_c=25°C unless otherwise specified

SYMBOL	PARAMETER	CONDITIONS	MIN	TYP	MAX	UNIT
V _{CE(sat)}	Collector-Emitter Saturation Voltage	I _C = -8A ; I _B = -0.4 A			-1.0	V
V _{BE(sat)}	Base-Emitter Saturation Voltage	I _C = -8A ; I _B = -0.8 A			-1.5	V
I _{CES}	Collector Cutoff Current	V _{CE} =Rated V _{CEO} ; V _{BE} = 0			-10	μ A
I _{EBO}	Emitter Cutoff Current	V _{EB} = -5V; I _C = 0			-100	μ A
h _{FE-1}	DC Current Gain	I _C = -2A ; V _{CE} = -1V	60			
h _{FE-2}	DC Current Gain	I _C = -4A ; V _{CE} = -1V	40			
C _{OB}	Output Capacitance	V _{CB} = -10V, f= 1.0MHz		230		pF
f _T	Current-Gain—Bandwidth Product	I _C =-0.5A; V _{CE} =-10V; f _{test} =20MHz		40		MHz

TO-252 Package Information



单位: mm

Symbol	Dimensions In Millimeters		Dimensions In Inches	
	Min.	Max.	Min.	Max.
A	6.30	6.90	0.248	0.272
A1	0.00	0.16	0.000	0.006
B	5.70	6.30	0.224	0.248
C	2.10	2.50	0.083	0.098
D	0.30	0.70	0.012	0.028
E1	0.60	0.90	0.024	0.035
E2	0.70	1.00	0.028	0.039
F	0.30	0.60	0.012	0.024
G	0.70	1.20	0.028	0.047
L1	9.60	10.50	0.378	0.413
L2	2.70	3.10	0.106	0.122
H	0.40	1.00	0.016	0.039
M	5.10	5.50	0.201	0.217
N	2.09	2.49	0.082	0.098
R	0.30		0.012	
T	1.40	1.60	0.055	0.063
Y	5.10	6.30	0.201	0.248