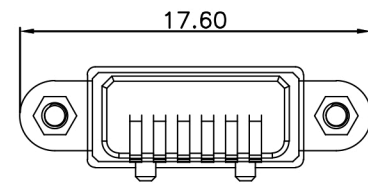
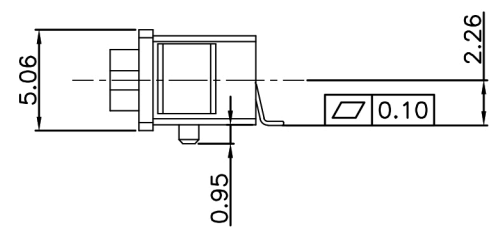
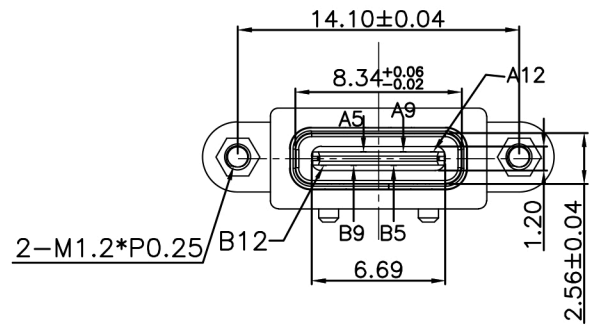
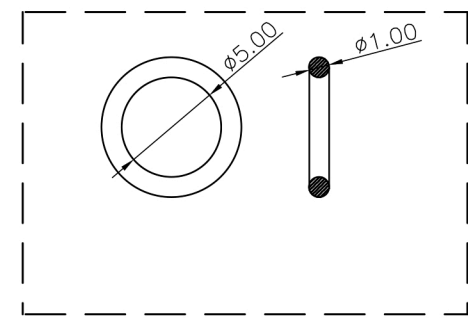
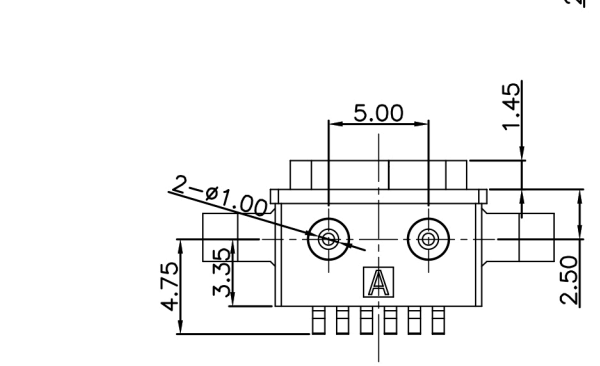


RECOMMENDED PCB LAYOUT(TOP VIEW)
THICKNESS T=1.0mm
DEFAULT TOLERANCE+/-0.05



Note: The waterproof ring is a silicone ring with a circular cross-section and a diameter of 1.0mm. The compression amount of the waterproof ring ranges from 1.0mm to 0.4mm~0.5mm, with good waterproof effect



| PIN | SIGNAL NAME |
|-----|-------------|
| A5 | CC1 |
| A9 | VBUS |
| A12 | GND |
| B12 | GND |
| B9 | VBUS |
| B5 | CC2 |

- NOTES:
 SPECIFICATION:
- CURRENT RATING: 3.0A MAX
 - DIELECTRIC WITHSTAND VOLTAGE: 100VAC
 - TEMPERATURE RANGE: -30 °C ~ 85 °C
 - CONTACT RESISTANCE: 40 MILLIONHM MAX
 - INSULATION RESISTANCE: 100 MEGOHMS MIN.
 - INSERTION FORCE : 5N~20N
 - UNMATING FORCE: 8N~20N
 - DURABILITY:5000 CYCLES

| | | | |
|-----|-------------|-----|-------------|
| A5 | CC1 | B12 | GND |
| A9 | VBUS | B9 | VBUS |
| A12 | GND | B5 | CC2 |
| PIN | SIGNAL NAME | PIN | SIGNAL NAME |

| ITEM | PART NAME | Q' TY | FINISH | OTHER |
|------|-----------|-------|--|--|
| 5 | Screw | 1 | C3604 Ni Plating | Ni:40~120u"; |
| 4 | Shell1 | 1 | SUS301 Ni Plating T=0.25mm | Ni:40~120u"; |
| 3 | M-D2 | 1 | LCP(G.F30%) | |
| 2 | Contact | 5 | Phosphor bronze C5210R-EH Au/Ni Plating T=0.20mm | Ni:40~160u"; Au:CONTACT AREA:3u", OTHER AREA:G/F |
| 1 | Housing | 1 | PA9T (G.F30%) | |

| | | | | | |
|------|-------|------|-------|--------|----|
| X. | ±0.50 | X.° | ±2° | UNITS | mm |
| .X | ±0.30 | .X° | ±1° | | |
| .XX | ±0.10 | .XX° | ±0.5° | MAT'L | / |
| .XXX | ±0.05 | | | | |
| | | | | FINISH | / |
| | | | | Q' TY | / |

| | | | | | |
|-----------|--|----------|--|-------------------------------|--|
| RUICHI | | PART NO. | | TITLE: TYPE C 6P防水连接器 板端插针 | |
| DWG NO. : | | SCALE | | SHEET | |
| DR: | | 1/1 | | 1/2 | |
| REV. | | A1 | | | |