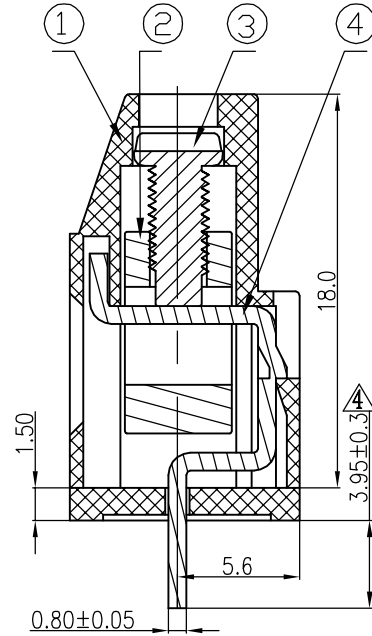
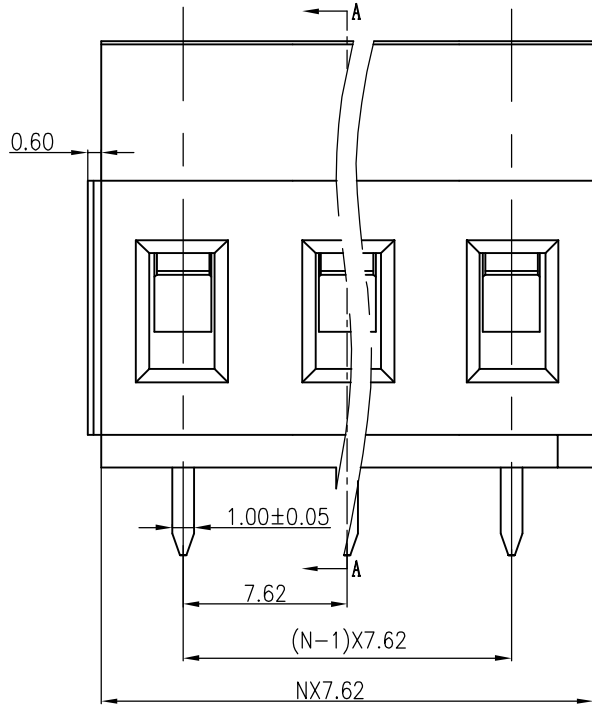


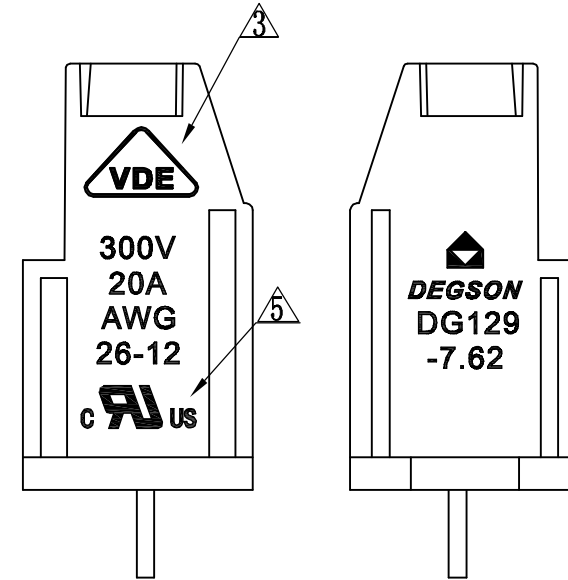
- Notes:
 1. Pitch: 7.62mm
 2. Rated voltage/current: UL 300V/20A
 VDE 450V/20A
 3. Operation temperatures: -40°C ~ +105°C
 4. Withstanding Voltage: AC2000V/1Min
 5. Insulation Resistance: 5000MΩ / DC1000V
 6. Wire Range: 26-12AWG, 2.5mm²
 7. Max. Torque Value: M3, 5.10kgf.cm
 8. Undimensioned Tolerances:

REVISION RECORD				
REV	ECCD	DESCRIPTION	DRFT	DATE
△		Drawing Revise	Haoyh	03/31/08
△	3	增加VDE刻字	CSX	01/12/07
△		出脚由3.85改为3.95±0.30	CSX	02/03/07
△		UL标志中去掉小R	CSX	08/09/07
△		品名、料号增加环保标示“(0)”	CSX	12/10/07

Pitch range in mm		Nominal dimension range in mm						—
to	over	over	to	over	over	over	∩	
6	6 to 10	10 to 24	30	30 to 60	60 to 100	100 to 150	□	
±0.10	±0.15	±0.25	±0.2	±0.3	±0.5	±0.7	±1.0	0.05/10



SECTION A-A



5	DG129-Cover	4043C0YXXA (H)	1	PA66	UL94V-0
4	DG129-Pin header	4029B00010 (H)	XX	Barss	SnCe
3	DG129-Screws-M3	S000001430 (H)	XX	Steel	Cr Zn
2	DG129-Cage	X000000200 (H)	XX	Brass	Ni plated

1	DG129-7.62--Housing	4043A0YXXA (H)	1	PA66	UL94V-0
ITEM	NAME OF PART	NO. OF PART	Q'TY	MATERIAL	NOTES
MM (INCH) TOLERANCES EXCEPT AS NOTED		DF TO HUANGWEI DATE 03/10/05*	CHKD DATE	宁波高正电子有限公司 DEGSON® DEGSON ELECTRONICS CO., LTD	
MM .0 ± .00 ± .000 ±		APPVL DATE	NAME DG129-7.62-XXP-1Y-00A(H)		
ANGLES ± 1°		G.E. :	DRAWING NO. DG129-7.62-E01 /PART NO.		
THIRD ANGLE PROJECTION		FINISH:	DD NDT SCALE DRAWING SHEET 1 OF 1		
SCALE : 1:1		SIZE A3 REV T6 12/10/07			