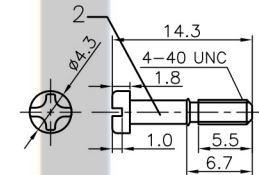
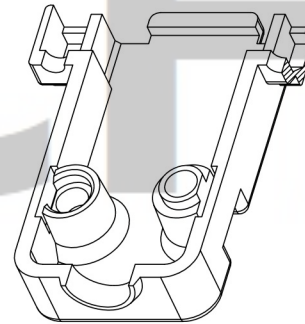
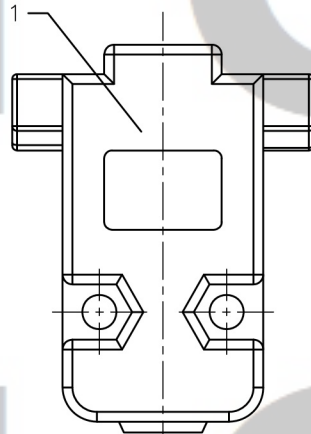
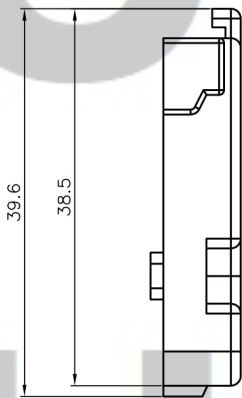
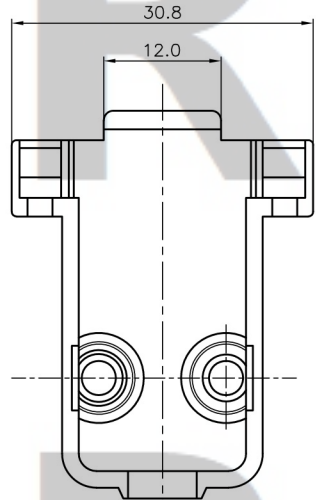
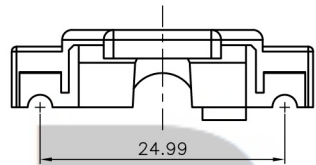


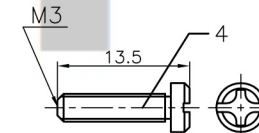
BOM LIST			
ITEM	PART NAME	Q'ty	NOTES
1	PLASTIC HOOD	2	ABS
2	2.1 LONG BOLT	2	#4-40
	2.2 SHORT BOLT	2	#4-40
3	NUT	2	M3
4	LONG SCREW	2	M3
5	SMALL WASHER	2	
6	SHORT SCREW	2	M3
7	7.1 METAL WASHER	2	M3
	7.2 PLASTIC-1 WASHER	2	ABS
	7.3 PLASTIC-2 WASHER	2	ABS

REV.	DESCRIPTION	DRAWN	CHECKED	APPROVED
A	NEW RELEASE	LJH 08/13/05'	~	LJC 08/13/05'
B	整理图面	YCH 09/13/07'	~	

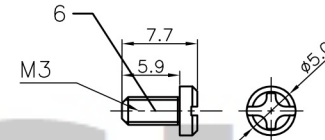
DSUB PLASTIC CASE (DP-9C)



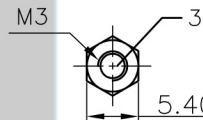
Short BOLT



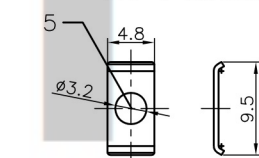
LONG SCREW



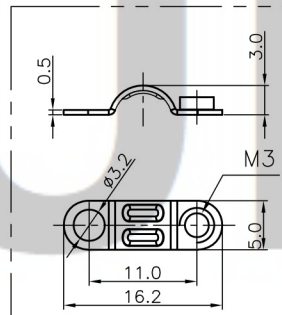
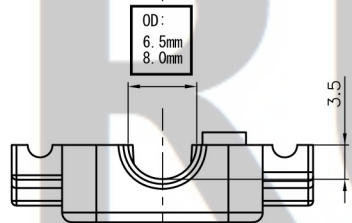
SHORT SCREW



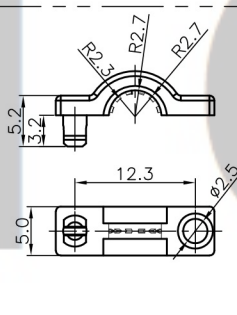
UNT t=2.3mm



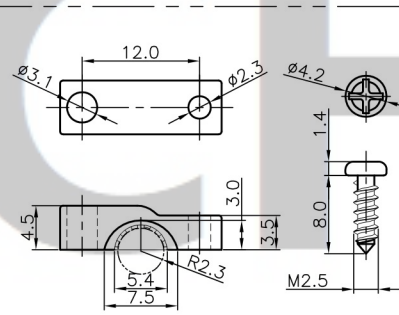
SMALL WASHER



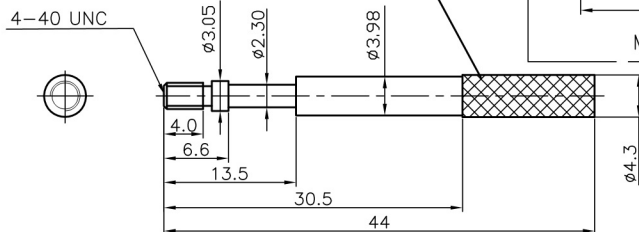
Metal



Plastic-1



Plastic-2



Long BOLT

GENERAL TOLERANCE	ANGLE TOLERANCE
X. ±0.60	X. ±5°
.X ±0.38	.X ±3°
.XX ±0.25	.XX ±2°

PROJECTION	TITLE
UNITS	mm
SHEET SIZE	A4

PROJECTION	TITLE
UNITS	mm
SHEET SIZE	A4

TITLE	
D-SUB 9pin Hood Chromium Plated	
SERIES	DS1046 SERIES

DRAWING TYPE	CUSTOMER
SCALE	1:1
DRAWING NO.	C-DS1046-09XXXX

DRAWING TYPE		CUSTOMER	
SCALE	1:1	SHEET	1 OF 1
DRAWING NO.	C-DS1046-09XXXX		

RUI CHI