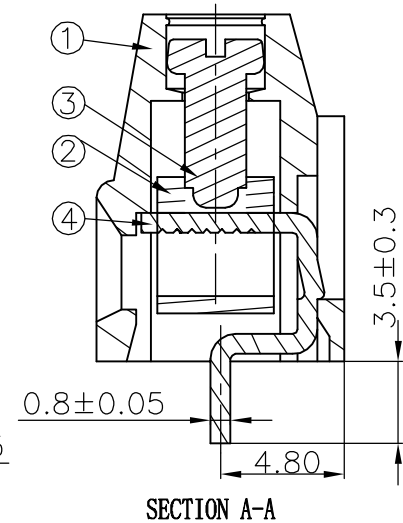
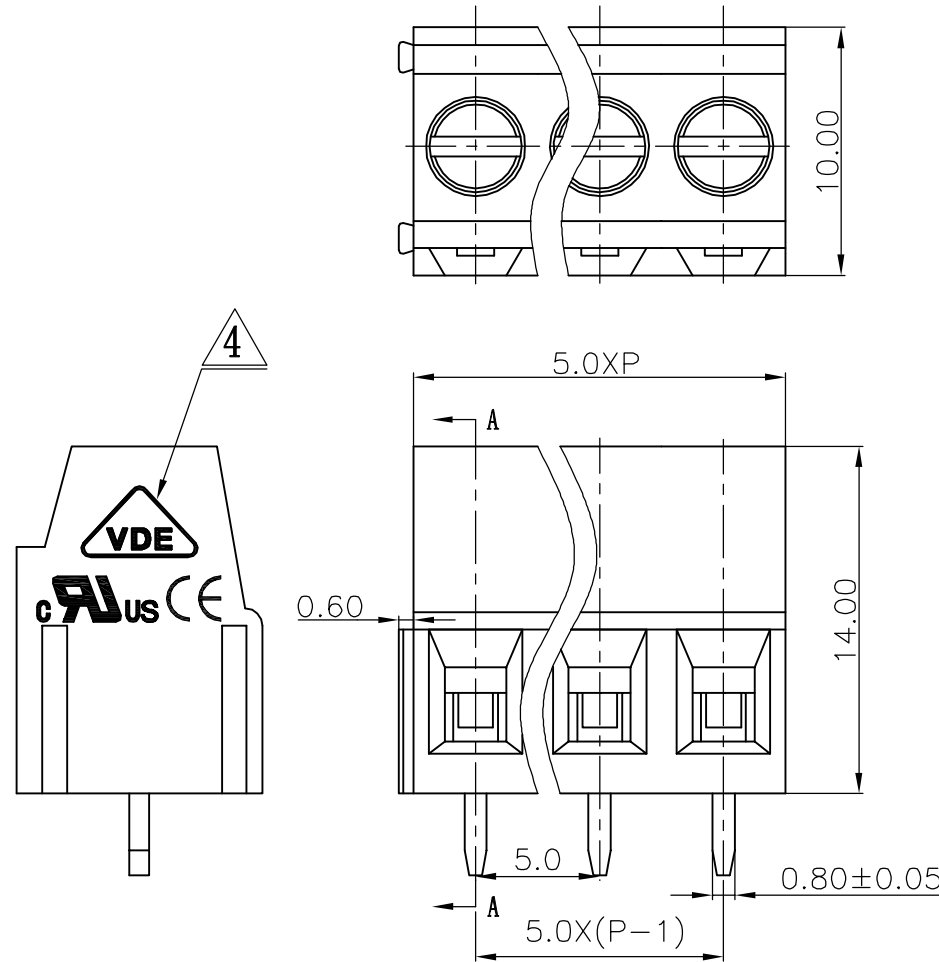


REVISION RECORD				
REV	ECN	DESCRIPTION	DRFT	DATE
△		Drawing Revise	Haoyh	04/18/06
△		针宽由0.9±0.05改为0.8±0.05	YeJ	02/05/07
△		修改UL刻字	CSX	08/03/07
△		增加VDE、CE标志	LJH	11/14/07
△	10-0245	UL电流10A变更为15A	Lasting	08/02/10

Notes:

- Pitch:5.0mm
- Rated voltage/current:UL 300V/15A △  
VDE 250V/18A
- Operation temperatures:-40° C~+105° C
- Insulation Withstand Voltage:AC2000V/1Min
- Insulation Resistance:5000MΩ/DC1000V
- Wire Range:24-12AWG 2.5mm<sup>2</sup>
- Max. Torque Value: 4.08kgf. cm
- Undimensioned Tolerances:

Pitch range in mm		Nominal dimension range in mm						
to	over	to	over	to	over	to	over	
6	6	10	10	30	60	100	150	∩
6	10	24	30	60	100	150		◇
	±0.10	±0.15	±0.25	±0.2	±0.3	±0.5	±0.7	±1.0
								0.05/10



4	DG128-Pin	4027B00010 (H)	XX	Brass	SnCe
3	DG128 Screw-M2.5	S000001460 (H)	XX	Steel	Cr <sup>3+</sup> Zn
2	DG128 Brass Cage	X000000020 (H)	XX	Brass	Ni plated

ITEM	NAME OF PART	NO. OF PART	Q'TY	MATERIAL	NOTES
1	DG500-5.0-Housing	4045A0YXXA (H)	1	PA66	UL94V-0

MM (INCH)	DFTO Haoyh	DATE 06/27/05
TOLERANCES EXCEPT AS NOTED	CHKD	DATE
	MFO	DATE
	APPVL	DATE
MM		
.0 ±	±	
.00 ±	±	
.000 ±	±	
ANGLES ± 1°	G.E :	
THIRD ANGLE PROJECTION	FINISH :	
	SCALE :	

宁波高正电子有限公司 DEGSON ELECTRONICS CO., LTD	
NAME DG500-5.0-XXP-1Y-00A(H)	
DRAWING NO. DG500-5.0-E02	SIZE A3
/PART NO.	REV T5 08/02/10
DO NOT SCALE DRAWING	SHEET 1 OF 1