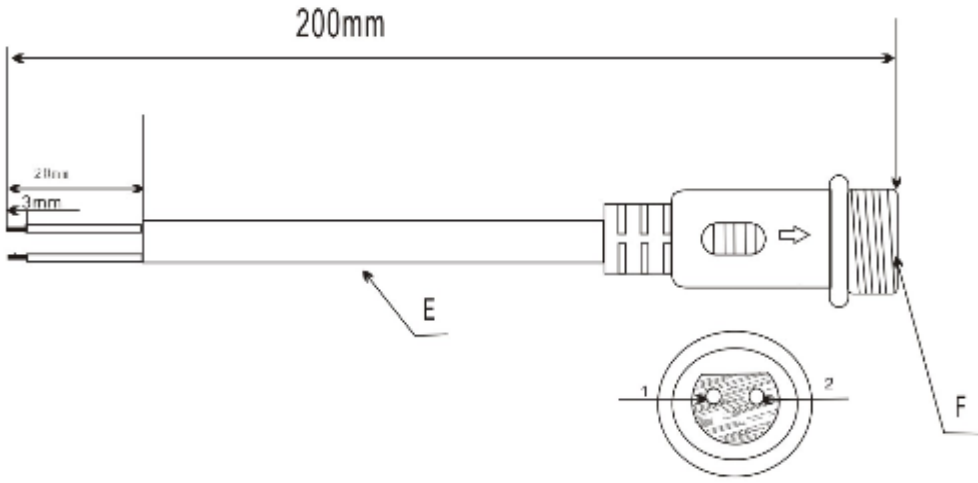
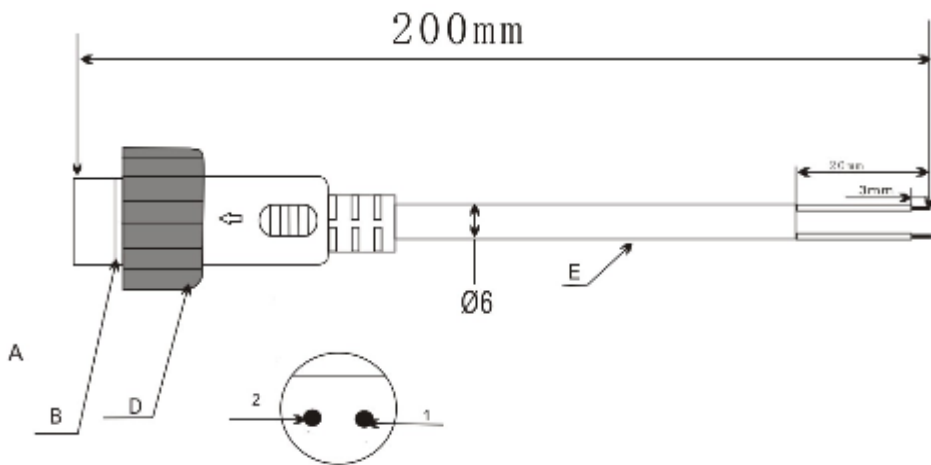


## J1



## J2



wiring		
J1	Color	J2
1	Black	1
2	red	2

**Technical parameter**

environmental temperature:-25~105℃

Relative humidity:90%+40℃

Rated voltage:125-250V AC,DC

Rated current:7A

Contact resistance:≤0.1Ω

Insulation resistance:≥100MΩ

Resist-electric strenth:500V AC/Min

Waterproof level:IP68