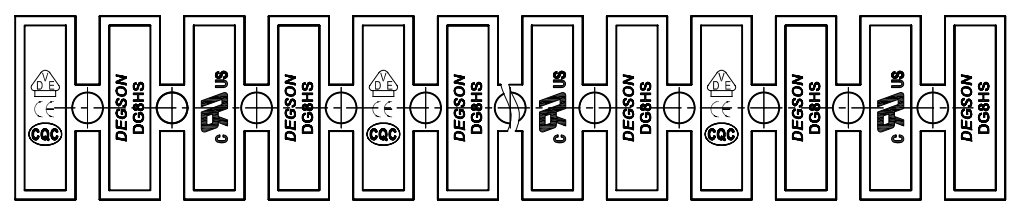
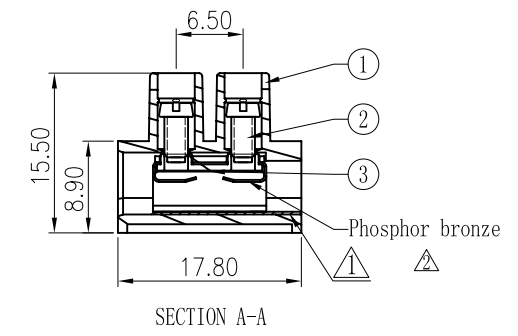
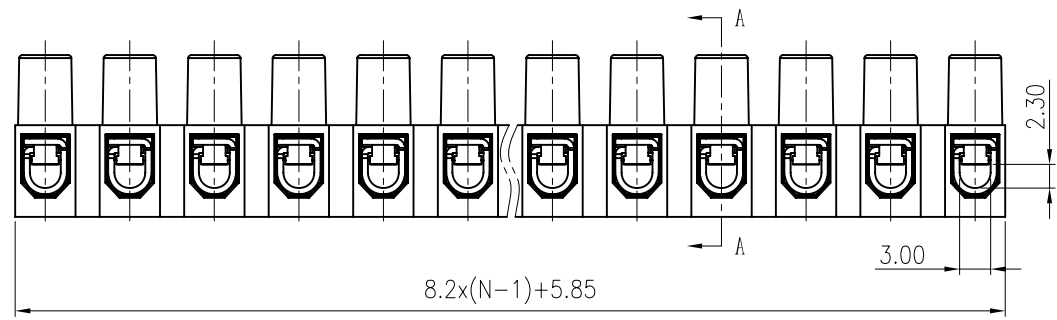
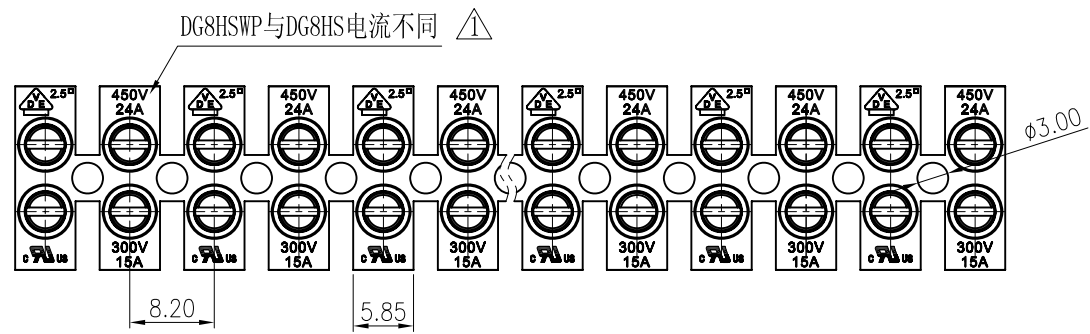


| REVISION RECORD | | | | |
|-----------------|---------|-----------------|-------|----------|
| REV | ECN | DESCRIPTION | DRFT | DATE |
| △ | | 增加DG8HWP塑件及结构变更 | Zengy | 04/08/09 |
| △ | 09-0075 | 增加弹片材质备注 | LJH | 10/05/09 |



Notes:

1. Pitch: 8.2, Poles: 2-12P
2. Rated voltage/Current: UL1059 300V 15A
VDE 450V 24A
3. Operation temperatures: -40°C ~ +105°C
4. Withstanding Voltage: AC2500V/1Min
5. Insulation Resistance: 5000MΩ / DC1000V
6. Wire Range: 20-14AWG, 0.5-2.5mm²
7. Max. Torque Value: M2.5, 4.08kgf.cm
8. Undimensioned Tolerances:

| 3 | DG8HS-Current carrier | X000003250 (H) | XX | Steel+ Phosphor bronze | Cr ³⁺ Zn |
|------------------------------------|-----------------------|-----------------------------|------|---------------------------|---------------------|
| 2 | DG8H"-" Screws M2.5 | S000001110 (H) | XX*2 | Steel | Cr ³⁺ Zn |
| 1 | DG8HWP Housing | 2048A0YXXA (H) △ | 1 | PA66 | UL94V-2 |
| ITEM | NAME OF PART | NO. OF PART | Q'TY | MATERIAL | NOTES |
| DEGSON ELECTRONICS CO., LTD | | 宁波高正电子有限公司 | | | |
| DEGSON® | | DEGSON ELECTRONICS CO., LTD | | | |
| NAME DG8HWP-1.2-XXP-1Y-100A (H) | | | | | |
| DRAWING NO. DG8HWP-E01 | | | | SIZE A4 | REV T2 |
| /PART NO. | | | | 10/05/09 | |
| DD NOT SCALE DRAWING | | | | SHEET 1 | OF 1 |