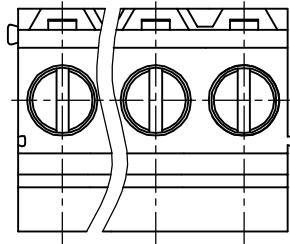
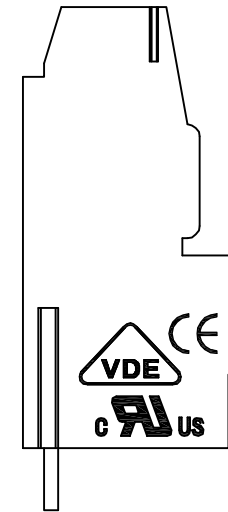
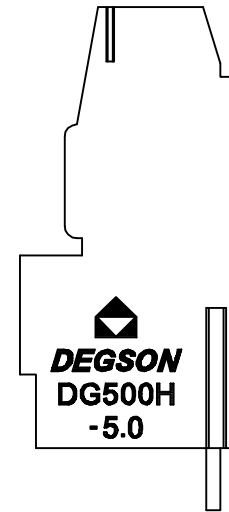
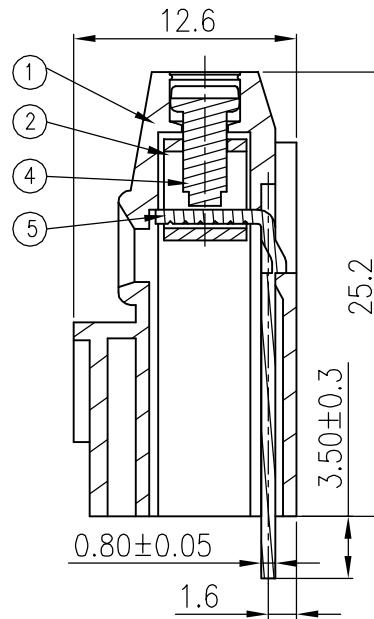
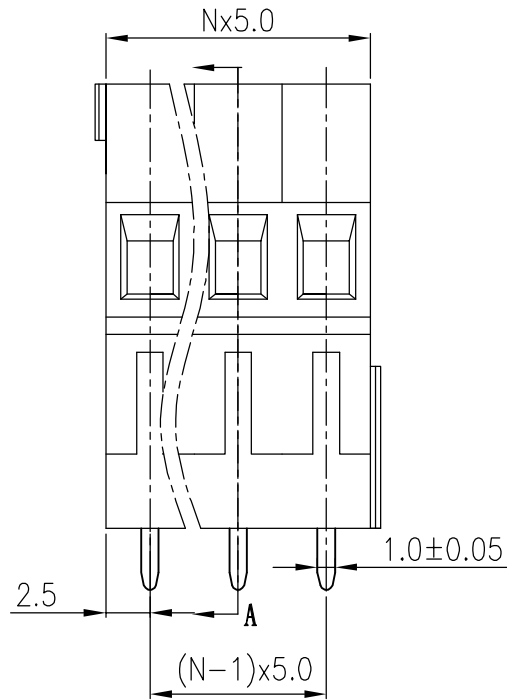


REVISION RECORD				
REV	ECD	DESCRIPTION	DRFT	DATE
△		Drawing Revise	Haoyh	03/28/06
△		品名、料号增加环保标示“04”	CSX	12/10/07
△		修改图面	CSX	04/21/08



- Notes:
1. Pitch:5.0mm Poles:2-XXP
  2. Rated voltage/current:UL 300V/20A  
VDE 250V/24A
  3. Operation temperatures:-40° C~+105° C
  4. Insulation Withstand Voltage:AC2000V/1min
  5. Insulation Resistance:5000MΩ/DC1000V
  6. Wire Range:28-12AWG 2.5m<sup>2</sup>
  7. Max. Torque Value: M2.5 4.08kgf.cm
  8. Undimensioned Tolerances:

Pitch range in mm			Nominal dimension range in mm					
	over 6 to 10	over 10 to 24	to 30	over 30 to 60	over 60 to 100	over 100 to 150	over 150	∩
to 6								∩
±0.10	±0.15	±0.25	±0.2	±0.3	±0.5	±0.7	±1.0	0.05/10



4	500H Pin header	4038B00010 (H)	XX	Brass	SnCe
3	128-Screws	S000001460 (H)	XX	Steel	Cr <sup>3+</sup> Zn
2	128-Cage	X000000020 (H)	XX	Brass	Ni plated

ITEM	NAME OF PART	NO. OF PART	Q'TY	MATERIAL	NOTES
1	DG500H-5.00-Housing	4037A0YXXA (H)	1	PA66	UL94V-0

DRFT	Zhuww	DATE	07/14/04
CHKD		DATE	
MFD		DATE	
APPVL		DATE	
MATERIAL :			
ANGLES ± 1°			
FINISH:			
SCALE : 1:1			

		DEGSON® 宁波高正电子有限公司 DEGSON ELECTRONICS CO., LTD	
NAME DG500H-5.0-XXP-1Y-00A(H)		DRAWING NO. DG500H-5.0-E01 /PART NO.	
DO NOT SCALE DRAWING		SHEET 1	OF 1