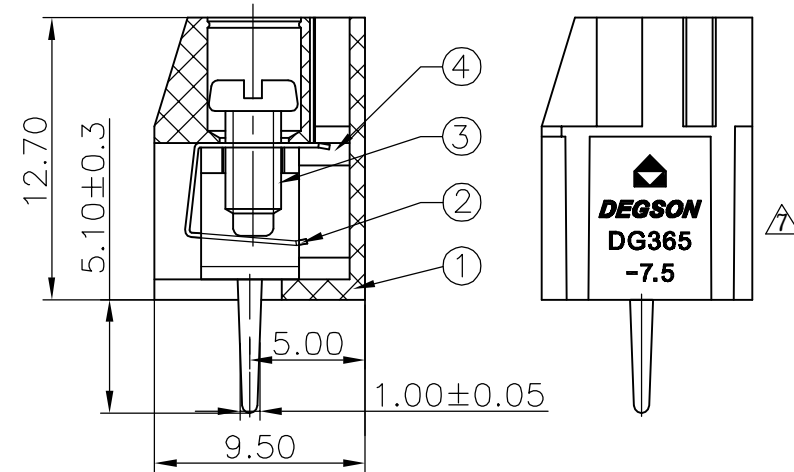
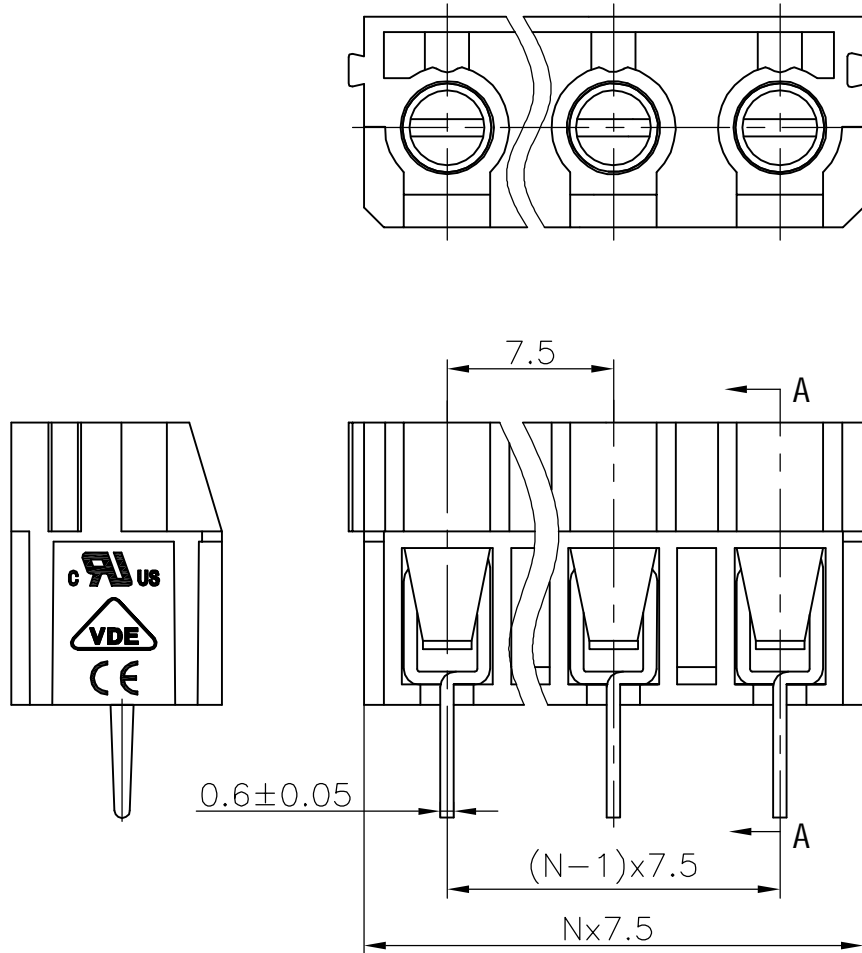


REVISION RECORD				
REV	ECO	DESCRIPTION	DRFT	DATE
△		Drawing Revise	Haoyh	05/13/06"
△		增加UL刻字	CSX	08/06/07"
△		品名、料号增加环保标示“(H)”	LJH	12/10/07"
△		修改料号	CSX	01/19/08"
△		图面更新	Zengy	09/05/08"

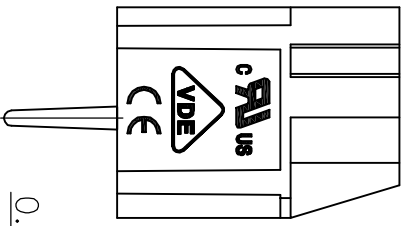
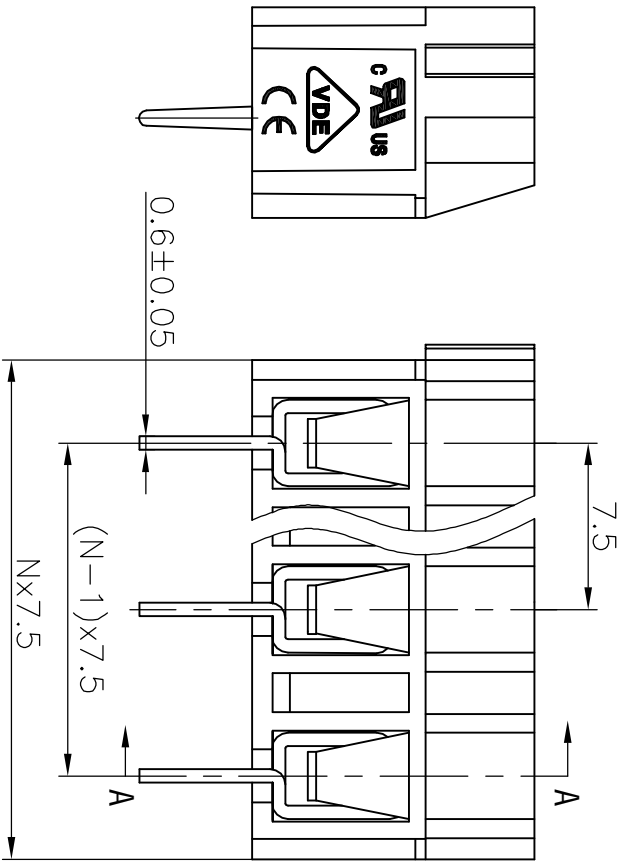
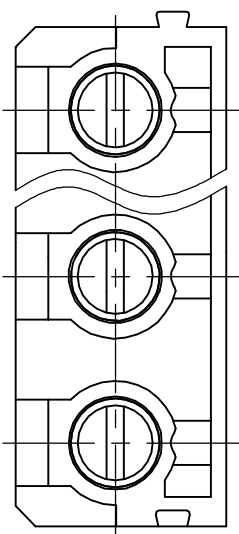
- Notes:
- Pitch: 7.5mm, Poles: 2P-XXP
 - Rated voltage/current: UL 300V/15A
VDE 450V/20A
 - Operation temperatures: -30°C ~ +120°C
 - Insulation Withstand Voltage: AC2000V/1Min
 - Insulation Resistance: 5000MΩ/DC1000V
 - Wire Range: 22-14AWG, 2.5mm²
 - Max. Torque Value: M2.5, 4.08kgf.cm △
 - Undimensioned Tolerances: △

Pitch range in mm		Nominal dimension range in mm						—
to 6	over 6 to 10	over 10 to 24	to 30	over 30 to 60	over 60 to 100	over 100 to 150	over 150	∩
±0.10	±0.15	±0.25	±0.2	±0.3	±0.5	±0.7	±1.0	∇



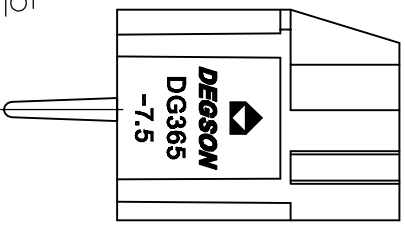
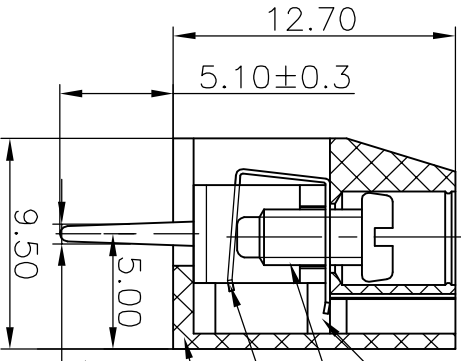
1	DG365-7.5-Housing	4046A0YXXA(H)	1	PBT	UL94V-0																								
ITEM	NAME OF PART	NO. OF PART	Q'TY	MATERIAL	NOTES																								
<table border="1"> <tr> <td>← MM (INCH) →</td> <td>DFTO Zhwm</td> <td>DATE 07/22/04</td> </tr> <tr> <td>TOLERANCES EXCEPT AS NOTED</td> <td>CHKD</td> <td>DATE</td> </tr> <tr> <td></td> <td>MFO</td> <td>DATE</td> </tr> <tr> <td></td> <td>APPVL</td> <td>DATE</td> </tr> <tr> <td></td> <td>MATERIAL :</td> <td></td> </tr> <tr> <td></td> <td>ANGLES ± 1°</td> <td>G.E. :</td> </tr> <tr> <td></td> <td>FINISH :</td> <td></td> </tr> <tr> <td></td> <td>SCALE :</td> <td></td> </tr> </table>		← MM (INCH) →	DFTO Zhwm	DATE 07/22/04	TOLERANCES EXCEPT AS NOTED	CHKD	DATE		MFO	DATE		APPVL	DATE		MATERIAL :			ANGLES ± 1°	G.E. :		FINISH :			SCALE :		宁波高正电子有限公司 DEGSON ELECTRONICS CO., LTD NAME: DG365-7.5-XXP-1Y-00A(H) DRAWING NO. DG365-7.5-E01 /PART NO. DO NOT SCALE DRAWING SHEET 1 OF 1			
← MM (INCH) →	DFTO Zhwm	DATE 07/22/04																											
TOLERANCES EXCEPT AS NOTED	CHKD	DATE																											
	MFO	DATE																											
	APPVL	DATE																											
	MATERIAL :																												
	ANGLES ± 1°	G.E. :																											
	FINISH :																												
	SCALE :																												
<table border="1"> <tr> <td>DETAILED LISTS</td> <td>MM</td> <td>±</td> </tr> <tr> <td></td> <td>.0 ±</td> <td>±</td> </tr> <tr> <td></td> <td>.00 ±</td> <td>±</td> </tr> <tr> <td></td> <td>.000 ±</td> <td>±</td> </tr> </table>		DETAILED LISTS	MM	±		.0 ±	±		.00 ±	±		.000 ±	±	SIZE A3 REV T7 01/19/08															
DETAILED LISTS	MM	±																											
	.0 ±	±																											
	.00 ±	±																											
	.000 ±	±																											

4	DG305-Pin header	4003B00010(H)	XX	Brass	SnCe
3	DG305-Screws	S000001620(H)	XX	Steel	Cr ³⁺ Zn
2	DG305-Spring	X000000260(H)	XX	Phosphor bronze	Ni plated



- Notes:
1. Pitch: 7.5mm, Poles: 2P-XXP
 2. Rated voltage/current: UL 300V/15A
VDE 450V/20A
 3. Operation temperatures: -30°C~+120°C
 4. Insulation Withstand Voltage: AC2000V/1Min
 5. Insulation Resistance: 5000MΩ/DC1000V
 6. Wire Range: 22-14AWG, 2.5mm²
 7. Max Torque Value: M2.5, 4.08kgf.cm
 8. Undimensioned Tolerances:

Pitch range in mm	Nominal dimension range	
	in mm	
over	over	over
to	to	to
6 to 8	10 to 15	30 to 150
10 to 15	24 to 30	60 to 150
15 to 20	30 to 36	60 to 150
20 to 25	36 to 42	60 to 150
25 to 30	42 to 48	60 to 150
30 to 36	48 to 54	60 to 150
36 to 42	54 to 60	60 to 150
42 to 48	60 to 66	60 to 150
48 to 54	66 to 72	60 to 150
54 to 60	72 to 78	60 to 150
60 to 66	78 to 84	60 to 150
66 to 72	84 to 90	60 to 150
72 to 78	90 to 96	60 to 150
78 to 84	96 to 102	60 to 150
84 to 90	102 to 108	60 to 150
90 to 96	108 to 114	60 to 150
96 to 102	114 to 120	60 to 150
102 to 108	120 to 126	60 to 150
108 to 114	126 to 132	60 to 150
114 to 120	132 to 138	60 to 150
120 to 126	138 to 144	60 to 150
126 to 132	144 to 150	60 to 150



REVISION RECORD			
REV	ECO	DESCRIPTION	DATE
△		Drawing Revise	05/13/06
△		增加UL刻字	08/06/07
△		品名、料号增加环保标示“(0)”	12/10/07
△		修改料号	01/19/08
△		图面更新	09/05/08

ITEM	NAME OF PART	NO. OF PART	Q'TY	MATERIAL	NOTES
1	DG365-7.5-Housing	4046A0YXXA(H)	1	PBT	UL94V-0
2					
3					
4					

DETACHED LISTS	
MM	MM
0 ±	±
0.00 ±	±
0.00 ±	±

DATE	DATE	DATE	DATE
07/22/04			

NAME	DATE
DEGSON	07/22/04

NAME	DATE
DEGSON	07/22/04

DRAWING NO.	REV
DG365-7.5-E01	A3

SCALE	SHEET	OF
DO NOT SCALE DRAWING	1	1

8 7 6 5 4 3 2 1