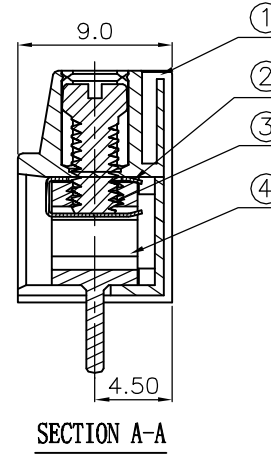
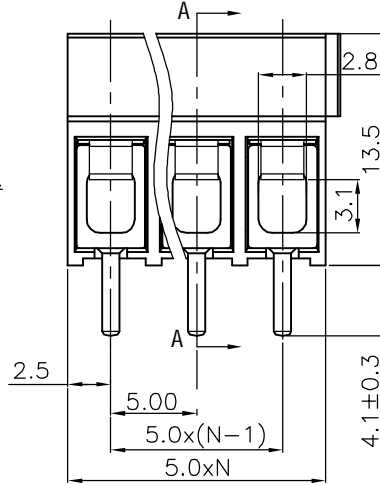
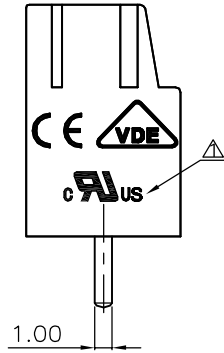
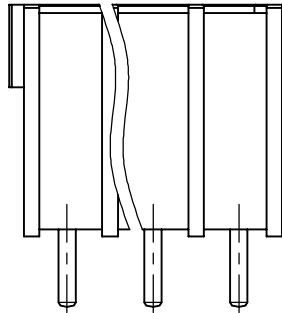
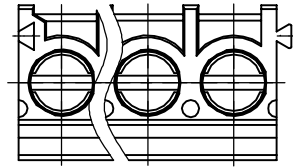
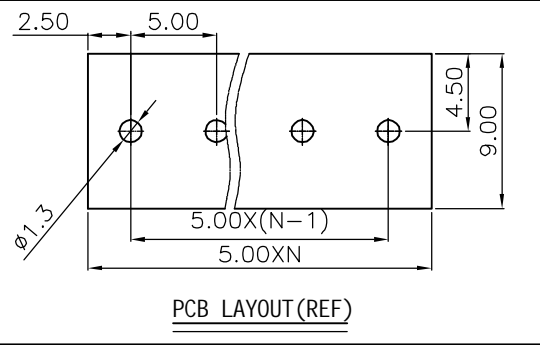


REVISION RECORD				
REV	ECN	DESCRIPTION	DRFT	DATE
△	10-0150	增加UL刻字	Lasting	08/09/10*



- Notes:
- pitch: 5.0mm 2-12P
 - Rated voltage/current: UL 300V/20A
IEC 250V/25A
 - Insulation resistance: 5000MΩ/1000V
 - Withstanding voltage: AC2000V/1Min
 - Wire range: 20-12AWG 0.5-4mm²
 - Temp, Range: -40°C~+105°C
 - Torque: 5.10kgf.cm
 - Undimensioned Tolerances:

Pitch range in mm		Nominal dimension range in mm						
	over 6 to 10	over 10 to 24	over 30 to 60	over 60 to 100	over 100 to 150	over 150	∩	
to 6	to 10	to 24	to 60	to 100	to 150	to 150	□	
	±0.10	±0.15	±0.25	±0.2	±0.3	±0.5	±0.7	±1.0

4	DG302 Pin header	4139B00010(H)	XX	Brass	SnCe
3	DG302 Screws	S000003320(H)	XX	Steel	C ³⁺ Zn
2	DG126 Spring	X000001760(H)	XX	Stainless steel	

ITEM	NAME OF PART	NO. OF PART	Q'TY	MATERIAL	NOTES
1	DG302V-5.0-Housing	4139A0YXXA(H)	1	PA66	UL94V-0

DETAILED LISTS	MM (INCH)	DFTO Linda	DATE 07/01/08*
		CHKD	DATE
		MFO	DATE
		APPVL	DATE
	MM		
	.0 ±	±	
	.00 ±	±	
	.000 ±	±	
	ANGLES ± 1°	G.E :	
	THIRD ANGLE PROJECTION	FINISH :	
		SCALE : 1:1	

宁波高正电子有限公司 DEGSON ELECTRONICS CO., LTD	
NAME DG302-5.0-XXP-1Y-00A(H)	
DRAWING NO. DG302-5.0-E01	SIZE REV T1
/PART NO.	A3 08/09/10*
DO NOT SCALE DRAWING	SHEET 1 OF 1