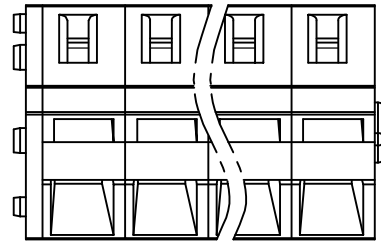


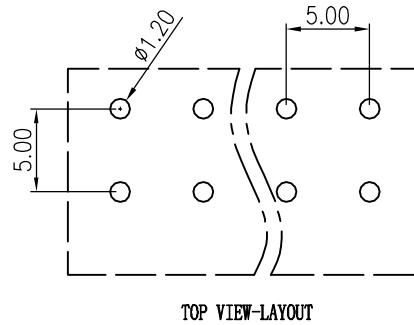
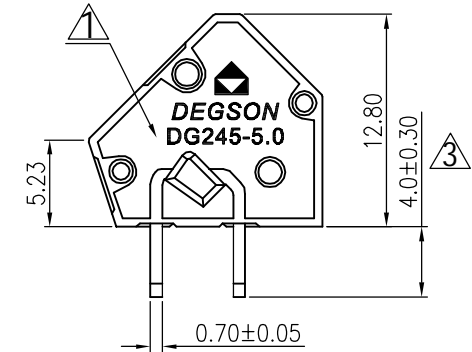
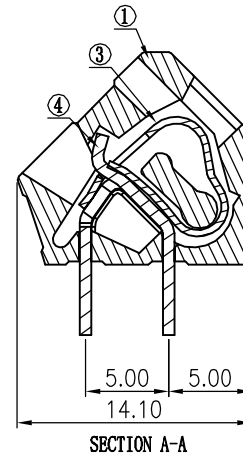
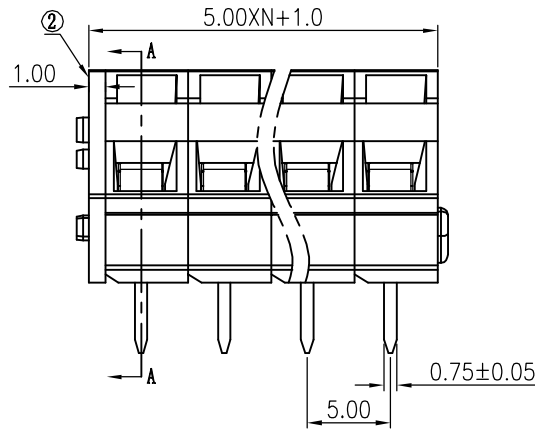
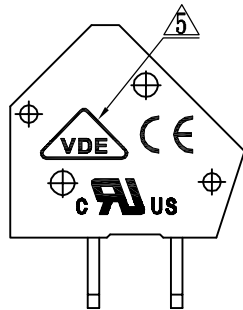
REVISION RECORD					
REV	ECN	DESCRIPTION	DRFT	DATE	
△		增加刻字	CSX	04/12/07"	
△		增加UL刻字	CSX	07/27/07"	
△		出脚由4.2改为4.0	CSX	08/01/07"	
△		修改参数	Zengy	12/20/08"	
△	10-0080	增加“VDE”刻字及参数	Jinbai, Lan	04/16/10"	



Notes:

1. Pitch:5.0mm ,Poles:XXP
2. Rated voltage/current:UL 300V/15A  
VDE 450V/17A
3. Operation temperatures:-40℃~+105℃
4. Withstanding Voltage:AC2000V/1Min
5. Insulation Resistance:5000MΩ /DC1000V
6. Wire Range:28~12AWG, 2.5mm<sup>2</sup>
7. Undimensioned Tolerances:

Pitch range in mm		Nominal dimension range in mm					
to	over	over	over	over	over		
6	6 to 10	10 to 24	30 to 60	60 to 100	100 to 150	150	
±0.10	±0.15	±0.25	±0.2	±0.3	±0.5	±0.7	±1.0
							0.05/10



4	DG245 Pin header	3025B00010 (H)	XX	Phosphor bronze	SnCe
3	DG242 Spring	X00000990 (H)	XX	Stainless steel	
2	DG245-5.0-COVER	3025C0Y01A (H)	1	PA66	UL94V-0

ITEM	NAME OF PART	NO. OF PART	Q'TY	MATERIAL	NOTES
1	DG245-5.0-HOUSING	3025A0Y01A (H)	XX	PA66	UL94V-0
TOLERANCES EXCEPT AS NOTED		DFTO LIUM DATE 01/13/06"			
MM (INCH)		CHKD DATE			
MM		MFO DATE			
.0 ±		APPVL DATE			
.00 ±		MATERIAL :			
.000 ±		ANGLES ± 1'			
THIRD ANGLE PROJECTION		FINISH :			
		SCALE :			
		G.E. :			
		DO NOT SCALE DRAWING			
		DRAWING NO. DG245-5.0-E01		SIZE A3	REV T5
		/PART NO.		14/16/10"	
		SHEET 1		OF 1	