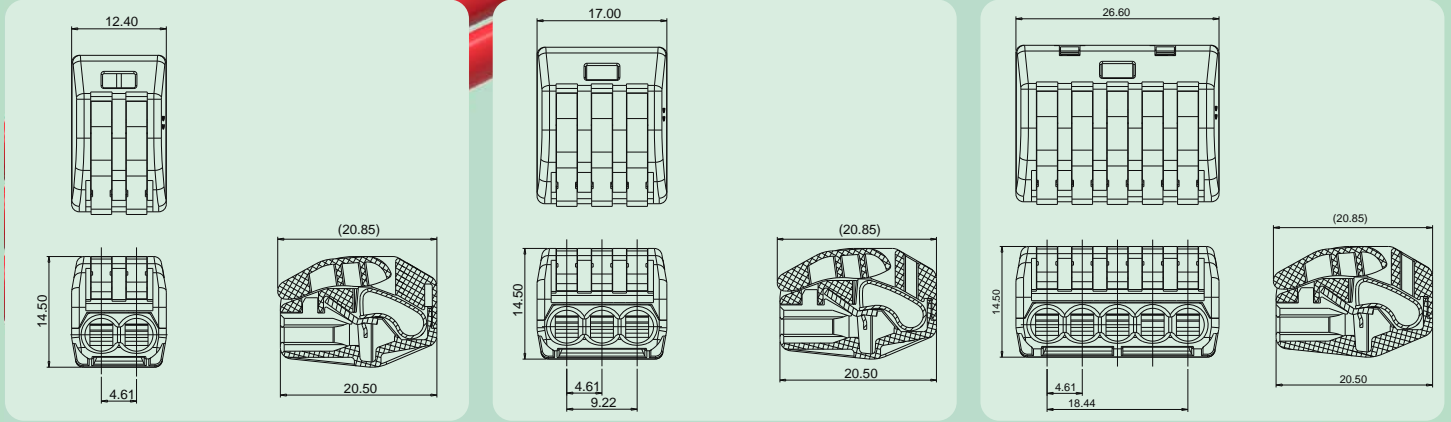


DG223-4.61

- Compact splicing connector;
- with operating levers.



Technical data

 APPROVAL: 

Model	Wire range (AWG/mm ²)	Poles	IEC60998 data sheet		UL486C data sheet	
			Rated voltage(V)	Rated current(A)	Rated voltage(V)	Rated current(A)
DG223-4.61	28-12/0.2-2.5	02/03/05P	450	24	600	20

Application

LED Lighting



Packing

Product model	Pcs./Pkt.
DG223-4.61-02P	100
DG223-4.61-03P	100
DG223-4.61-05P	100

Cross reference

DEGSON	Competitor1	Competitor2
DG223-4.61	W/222-41X	-

How to order

DG223-4.61	-	X	X	P	-	1	Y	-	0	0	A(H)
Series NO.		NO. of pole							Standard		
		1	2								
		Single pitch	Double pitch								