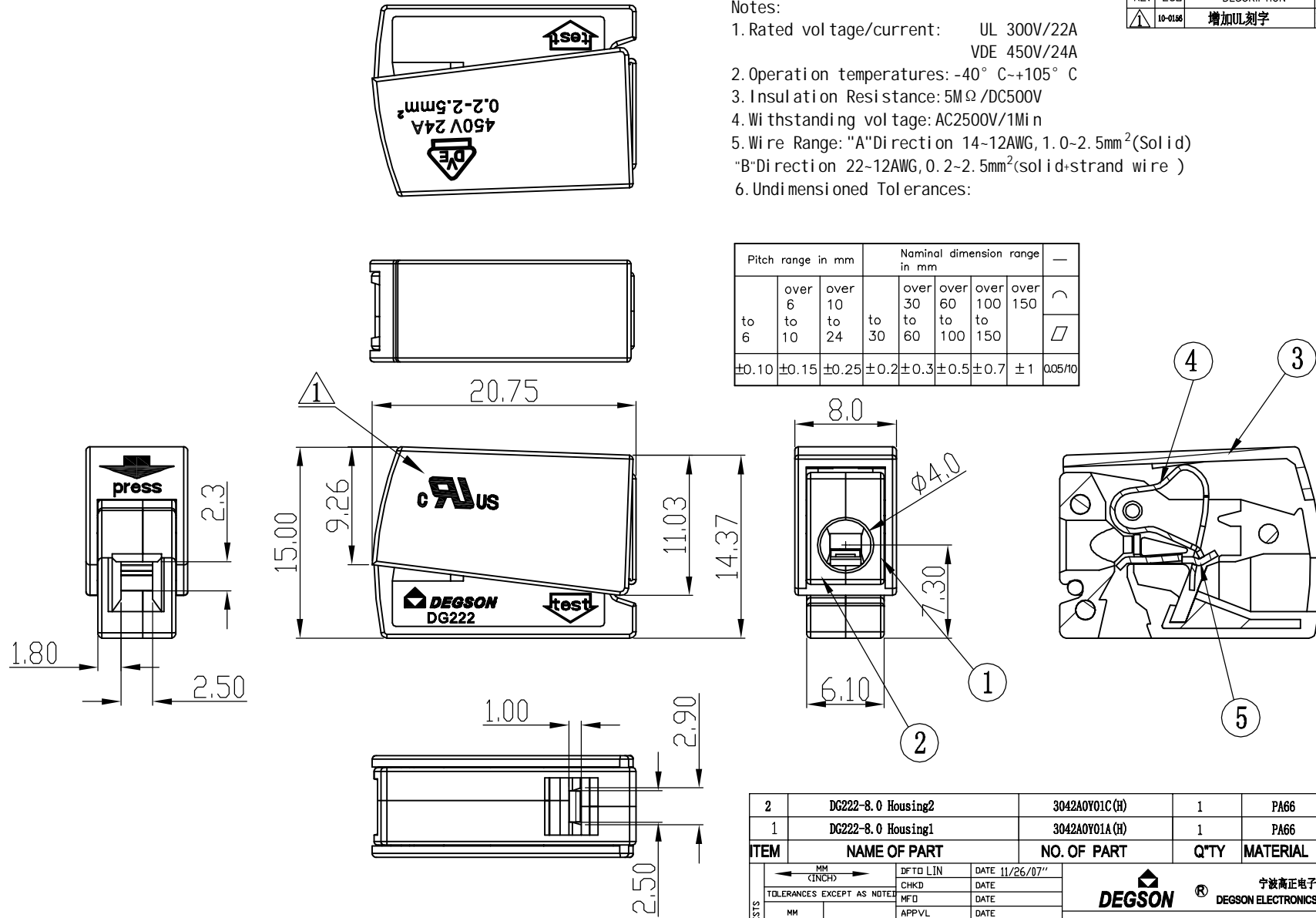


REVISION RECORD					
REV	ECD	DESCRIPTION	DRFT	DATE	
1	10-0156	增加UL刻字	David.G	05/26/10	

Notes:

- Rated voltage/current: UL 300V/22A
VDE 450V/24A
- Operation temperatures: -40° C~+105° C
- Insulation Resistance: 5MΩ /DC500V
- Withstanding voltage: AC2500V/1Min
- Wire Range: "A" Direction 14-12AWG, 1.0-2.5mm²(Solid)
"B" Direction 22-12AWG, 0.2-2.5mm²(solid+strand wire)
- Undimensioned Tolerances:

Pitch range in mm		Nominal dimension range in mm						
to	over	over	over	over	over	over	—	
6	6 to 10	10 to 24	30 to 60	60 to 100	100 to 150	150	□	
±0.10	±0.15	±0.25	±0.2	±0.3	±0.5	±0.7	±1	
							0.05/10	



5	DG222 Current carrier	3042B00010 (H)	1	Coppo	SnCe
4	DG222 Spring	X000003780 (H)	1	stainless steel	
3	DG222-8.0 Cover	3042C0Y01A (H)	1	PA66	UL94V-0

ITEM	NAME OF PART	NO. OF PART	Q'TY	MATERIAL	NOTES
2	DG222-8.0 Housing2	3042A0Y01C (H)	1	PA66	UL94V-0
1	DG222-8.0 Housing1	3042A0Y01A (H)	1	PA66	UL94V-0

TOLERANCES EXCEPT AS NOTED		DATE
MM	±	11/26/07
0.05	±	
0.00	±	
0.000	±	

DETACHED LISTS		DATE
MM	±	11/26/07
0.05	±	
0.00	±	
0.000	±	

THIRD ANGLE PROJECTION		SCALE
MM	±	1:1

DEGSON		DATE
NAME		11/26/07
DRAWING NO. DG222-8.0-E01		
/PART NO.		
DO NOT SCALE DRAWING		