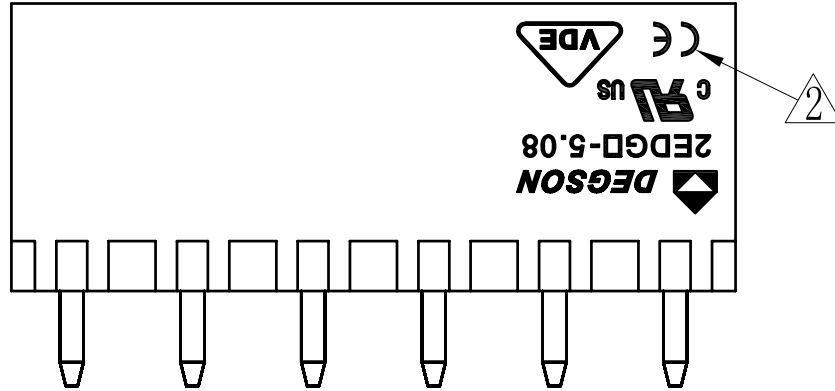
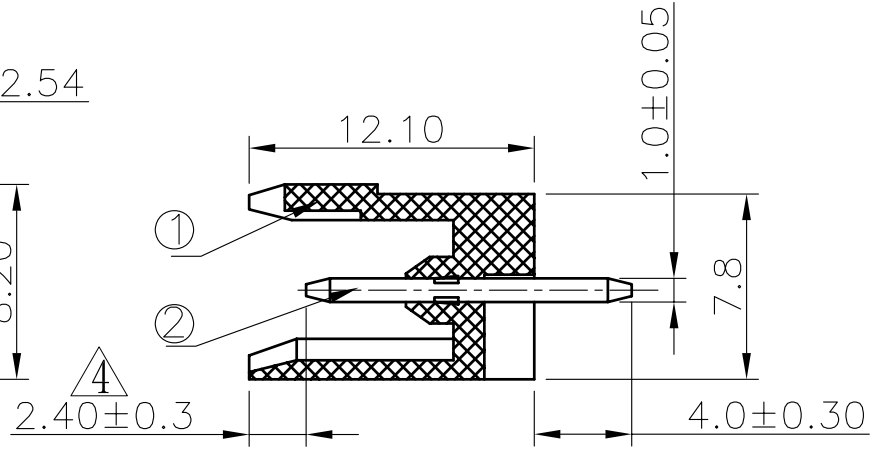
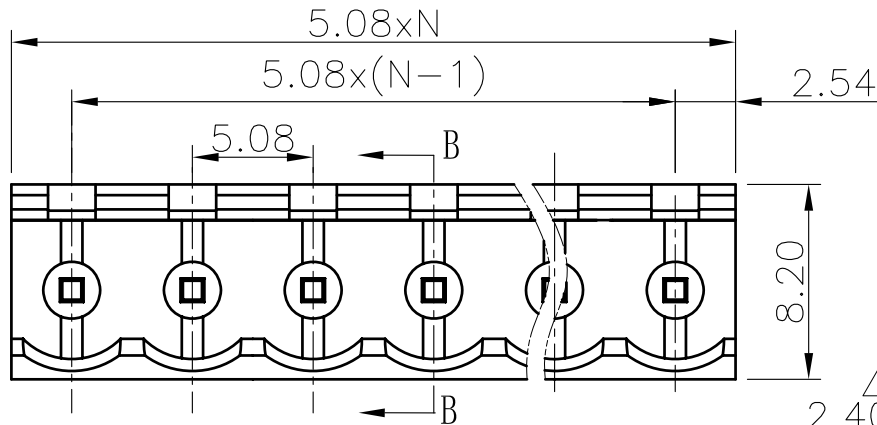


REVISION RECORD				
REV	ECO	DESCRIPTION	DRFT	DATE
1		Drawing emend	CSX	04/04/06
2		增加VDE、CE刻字	YeJ	02/28/08
3		增加自动化方针	WLM	09/23/08
4	10-0329	增加标注尺寸	COCO	10/07/10



Notes:

1. Pitch:5.08mm, poles:2-24p
2. Rated voltage/current:UL 300V/15A
VDE 320V/20A
3. Operation temperatures:-40° C~+105° C
4. Withstanding voltage: AC2000V/1Min
5. Insulation resistance:5000MΩ/DC1000V
6. Undimensioned Tolerances:

Pitch range in mm		Nominal dimension range in mm						
	over 6	over 10	over 24	over 30	over 60	over 100	over 150	
to 6	to 10	to 24	to 30	to 60	to 100	to 150		□
±0.10	±0.15	±0.25	±0.2	±0.3	±0.5	±0.7	±1.0	0.05/10

2	2EDGV-Pin header	1007B00010 (H)	XX	Brass	Automatic assembly												
2	2EDGV-Pin header	1007B00030 (H)	XX	Brass	Manual assembly												
1	2EDGV-5.08-Housing	1008A0YXXA (H)	1	PA66	UL94V-0												
ITEM	NAME OF PART	NO. OF PART	Q"TY	MATERIAL	NOTES												
<table border="1"> <tr> <td>← MM (INCH) →</td> <td>DFTO DZJ</td> <td>DATE 09/21/05*</td> </tr> <tr> <td>TOLERANCES EXCEPT AS NOTED</td> <td>CHKD</td> <td>DATE</td> </tr> <tr> <td></td> <td>MFO</td> <td>DATE</td> </tr> <tr> <td></td> <td>APPVL</td> <td>DATE</td> </tr> </table>		← MM (INCH) →	DFTO DZJ	DATE 09/21/05*	TOLERANCES EXCEPT AS NOTED	CHKD	DATE		MFO	DATE		APPVL	DATE	宁波高正电子有限公司 DEGSON ELECTRONICS CO., LTD			
← MM (INCH) →	DFTO DZJ	DATE 09/21/05*															
TOLERANCES EXCEPT AS NOTED	CHKD	DATE															
	MFO	DATE															
	APPVL	DATE															
<table border="1"> <tr> <td>MM</td> <td>±</td> </tr> <tr> <td>.0 ±</td> <td>±</td> </tr> <tr> <td>.00 ±</td> <td>±</td> </tr> <tr> <td>.000 ±</td> <td>±</td> </tr> </table>		MM	±	.0 ±	±	.00 ±	±	.000 ±	±	MATERIAL :		NAME					
MM	±																
.0 ±	±																
.00 ±	±																
.000 ±	±																
ANGLES ± 1'		G.E. :		2EDGV-5.08-XXP-1Y-00A(H)													
		FINISH :		DRAWING NO. 2EDGV-5.08-E06													
THIRD ANGLE PROJECTION		SCALE : 1:1		/PART NO.													
DO NOT SCALE DRAWING				SHEET 1 OF 1													