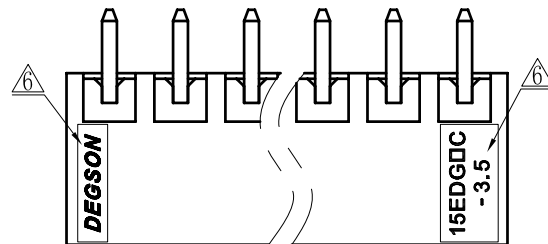
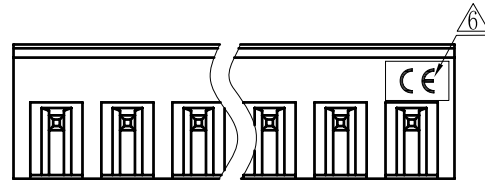
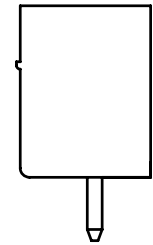
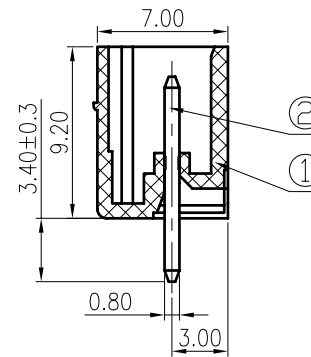
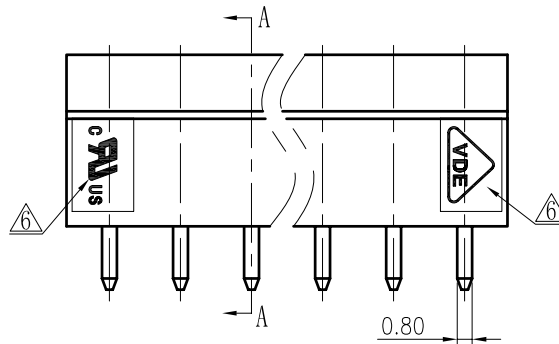
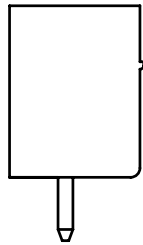
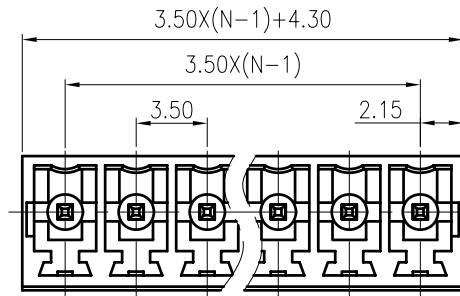


REVISION RECORD				
REV	ECD	DESCRIPTION	DRFT	DATE
2		增加UL刻字	Ye j	10/16/06
3		更新图面	LJH	03/01/08
4		老模新开更改刻字	WLM	07/14/08
5		增加自动化方针	WLM	10/29/08
6		增加M, C刻字及修改刻字, 2中取消卡槽	Zengy	04/11/09



Notes:

- Pitch: 3.5mm, Poles: 2-24P
- Rated voltage/current: UL 300V/8A
VDE 250V/7A
- Operation temperatures: -40°C~+105°C
- Withstanding Voltage: AC2000V/1Min
- Insulation Resistance: 5000MΩ/DC1000V
- Undimensioned Tolerances:

Pitch range in mm		Nominal dimension range in mm					
	over 6	over 10	over 30	over 60	over 100	over 150	—
to 6	to 10	to 24	to 30	to 60	to 100	to 150	∩ □
±0.10	±0.15	±0.25	±0.2	±0.3	±0.5	±0.7	±1.0

2	15EDGVC-Pin header	1002B00060 (H)	XX	Brass	Automatic assembly
2	15EDGVC-Pin header	1002B00010 (H)	XX	Brass	Manual assembly

ITEM	NAME OF PART	NO. OF PART	Q'TY	MATERIAL	NOTES
1	15EDGVC-3.5-Housing	1002A0YXXA (H)	1	PA66	UL94V-0

DFTD Home DATE 12/09/05 CHKD DATE MFD DATE APPVL DATE	DEGSON® 宁波高正电子有限公司 DEGSON ELECTRONICS CO., LTD
TOLERANCES EXCEPT AS NOTED MM .0 ± .00 ± .000 ±	NAME 15EDGVC-3.5-XXP-1Y-00A(H)
ANGLES ± 1° G.E : FINISH: THIRD ANGLE PROJECTION	DRAWING NO. 15EDGVC-3.5-E02 /PART NO. SIZE A3 REV T6 04/11/09
SCALE : 1:1	DO NOT SCALE DRAWING SHEET 1 OF 1