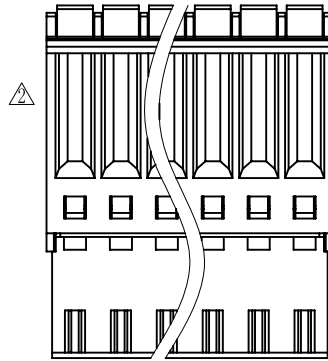
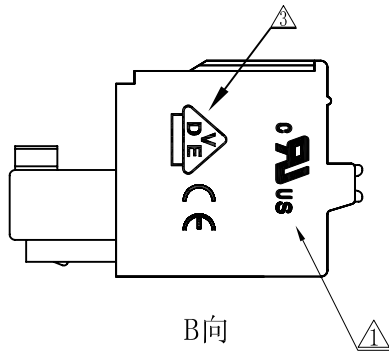
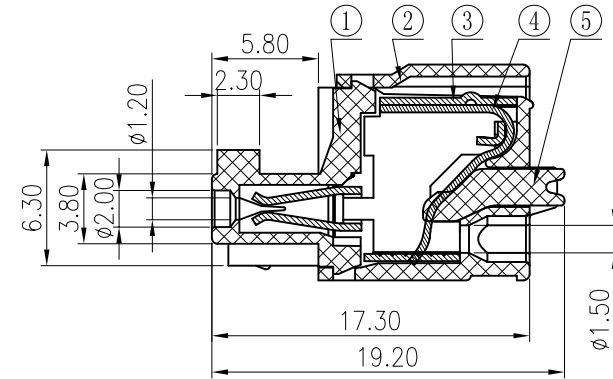
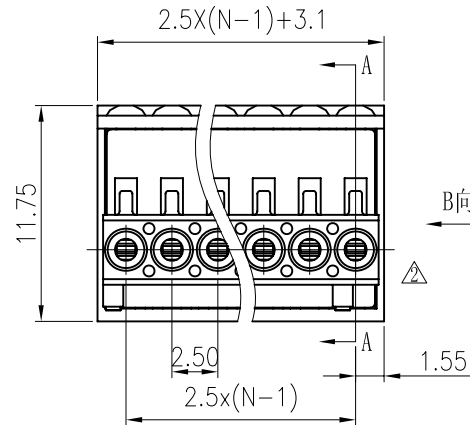
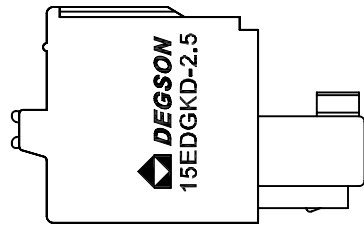


REVISION RECORD					
REV	ECN	DESCRIPTION	DRFT	DATE	
△	10-0070	增加UL刻字及参数	GHY	04/08/10	
△	10-0287	修改外观	Jinhai.Lan	08/31/10	
△	10-0321	增加VDE刻字及修改参数	ZXX	09/28/10	

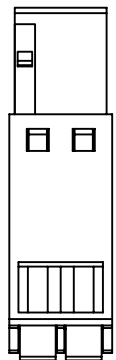


- Notes:
1. Pitch: 2.5, Poles: 2-12P
 2. Rated voltage/Current: UL 150V 4A △
VDE 250V 5A △
 3. Operation temperatures: -40°C ~ +105°C
 4. Rated impulse voltage: 1.5KV
 5. Withstanding Voltage: AC1500V/1min
 6. Insulation Resistance: 5000MΩ/DC1000V
 7. Wier Range: 26-20AWG, 0.2-0.5mm² △
 8. Undimensioned Tolerances:

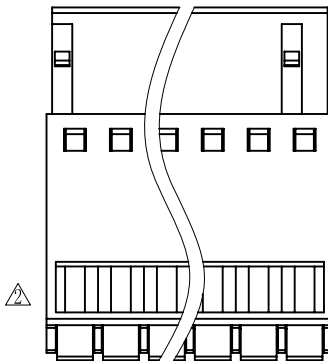
Pitch range in mm		Nominal dimension range in mm					—	
to	over	over	over	over	over	—		
6	6 to 10	10 to 24	30 to 60	60 to 100	100 to 150	150		
±0.10	±0.15	±0.25	±0.2	±0.3	±0.5	±0.7	±1.0	0.05/0.10



SECTION A-A



02P



ITEM	NAME OF PART	NO. OF PART	Q'TY	MATERIAL	NOTES
5	15EDGKD-2.5 Button	1100D05XXC (H)	XX	POM	UL94HB
4	15EDGKD-2.5 Spring	X000003900 (H)	XX	Stainless steel	
3	15EDGKD-2.5 Clamp	1100B00010 (H)	XX	Phosphor bronze	Snce
2	15EDGKD-2.5 Housing	1100A0YXXA (H)	1	PA66	UL94V-0
1	15EDGKD-2.5 Cover	1100C0YXXA (H)	1	PA66	UL94V-0

DETACHED LISTS	MM (INCH)	DFTO L IN	DATE 10/20/08	宁波高正电子有限公司 DEGSON ELECTRONICS CO., LTD	
	TOLERANCES EXCEPT AS NOTED	CHKD	DATE		
		MFD	DATE		
		APPVL	DATE		
	MM	±	MATERIAL :	NAME	
	.0 ±	±	G.E :	15EDGKD-2.5-XXP-1Y-00A (H)	
	.00 ±	±	FINISH:	DRAWING NO. 15EDGKD-2.5-E01	SIZE A4
	.000 ±	±	SCALE : 1:1	/PART NO.	REV T3
	ANGLES ± 1°		DO NOT SCALE DRAWING	SHEET 1	09/28/10
	THIRD ANGLE PROJECTION			OF 1	