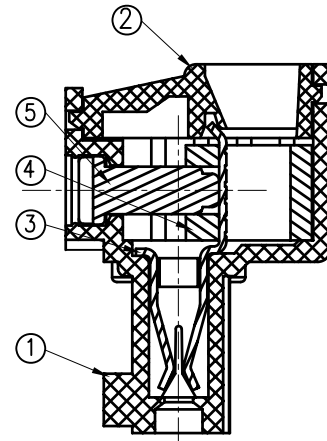
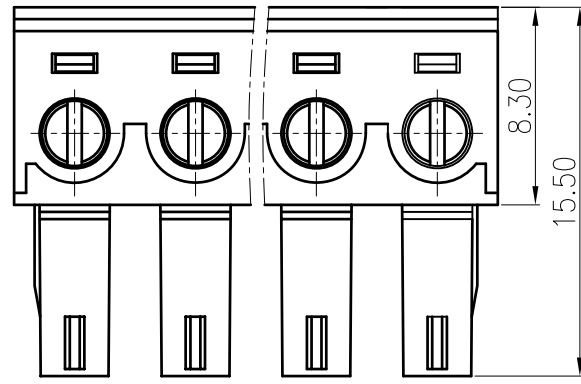
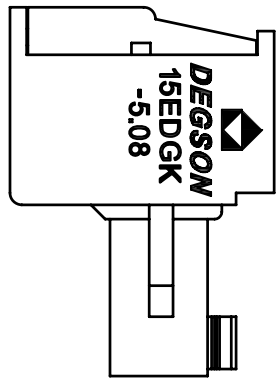
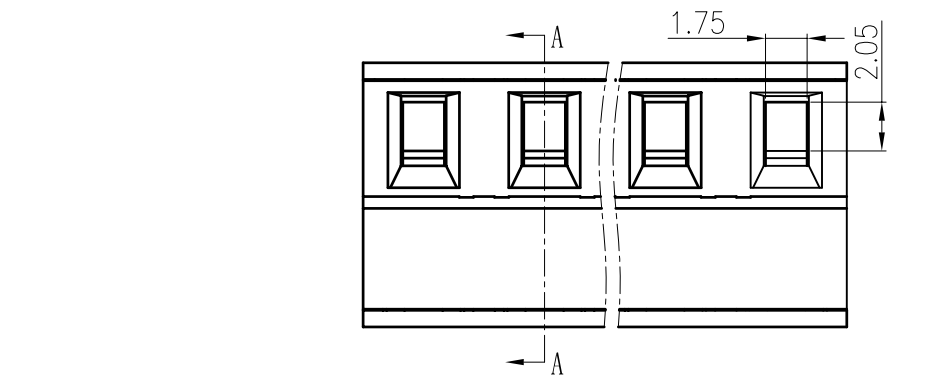


REVISION RECORD					
REV	ECO	DESCRIPTION	DRFT	DATE	
△		增加VDE, UL, CE刻字	Zengy	01/13/09	

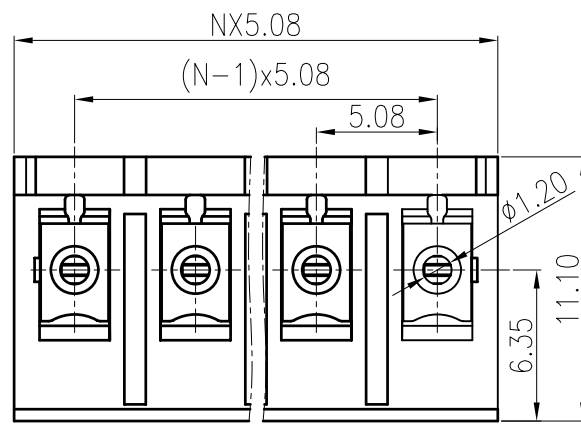
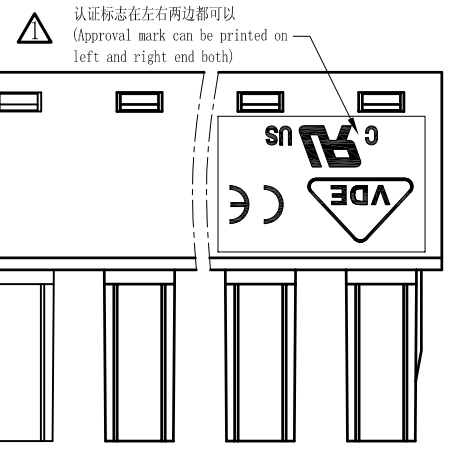
Notes:

- Pitch: 5.08mm, Poles: 2-12P
- Rated voltage/current: UL 300V/8A
VDE 250V/7A
- Operation temperatures: -40°C ~ +105°C
- Withstanding Voltage: AC2000V/1Min
- Insulation Resistance: 5000MΩ/DC1000V
- Wire Range: 28~16AWG, 0.5~1.5mm²
- Max. Torque Value: M2, 2.04kgf.cm
- Undimensioned Tolerances:

Pitch range in mm		Nominal dimension range in mm						
to	over	to	to	to	to	to	to	
6	6 to 10	10 to 24	30 to 30	30 to 60	60 to 100	100 to 150	150 to	∅
±0.10	±0.15	±0.25	±0.2	±0.3	±0.5	±0.7	±1.0	0.05/0.10



SECTION A-A



ITEM	DESCRIPTION	QTY	MATERIAL	FINISH	REMARKS
5	15EDG-""Screws	S000001360 (H)	XX	Steel	Cr ³⁺ Zn
4	15EDG-Brass cage	X000000010 (H)	XX	Brass	Ni plated
3	15EDG-Clamp	1001B00010 (H)	XX	Phoshor Bronze	Ni plated
2	15EDGK-5.08-Cover	1168COYXXA (H)	1	PA66	UL94V-0

ITEM	NAME OF PART	NO. OF PART	Q"TY	MATERIAL	NOTES
1	15EDGK-5.08-Housing	1168A0YXXA (H)	1	PA66	UL94V-0

MM (INCH)	DFTO Zhuwm	DATE 12/14/07*
TOLERANCES EXCEPT AS NOTED	CHKD	DATE
	MFO	DATE
	APPVL	DATE
MATERIAL :		
ANGLES ± 1°	G.E :	
THIRD ANGLE PROJECTION	FINISH :	
	SCALE : 1:1	
	DO NOT SCALE DRAWING	

NAME		15EDGK-5.08-XXP-1Y-00A (H)	
DRAWING NO.	15EDGK-5.08-E01	SIZE	A3
/PART NO.		REV	T1
			01/13/09*
SHEET 1		OF 1	