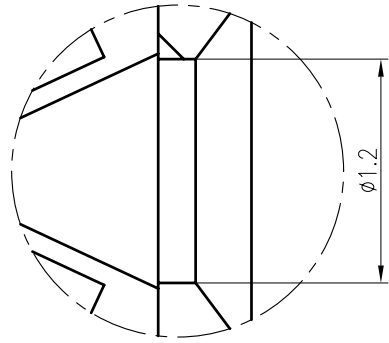
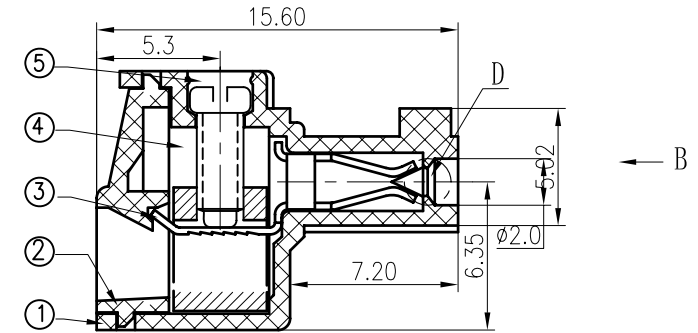
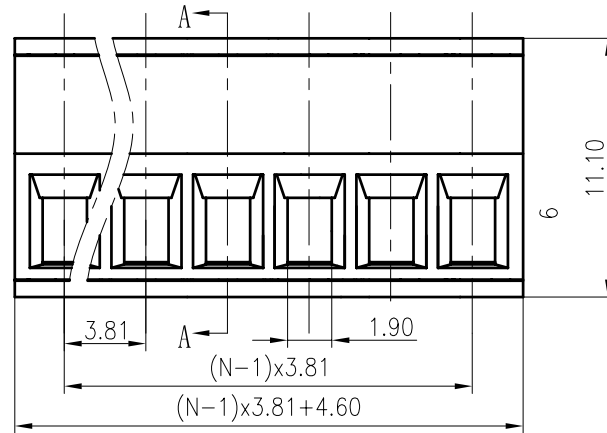


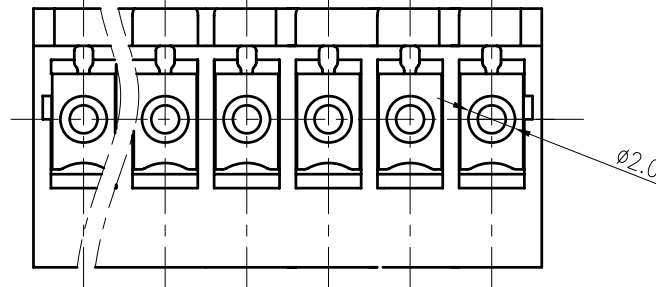
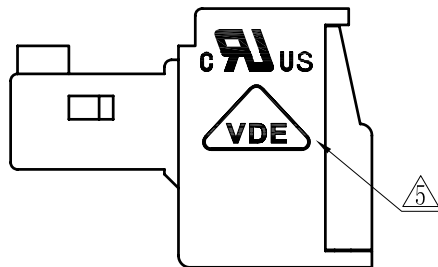
REVISION RECORD					
REV	ECO	DESCRIPTION	DRFT	DATE	
⚠		Drawing emend	WF	05/07/06*	
⚠		Drawing emend	Ye j	05/31/08*	
⚠				12/26/08*	
⚠		增加VDE刻字	Zengy	12/26/08*	



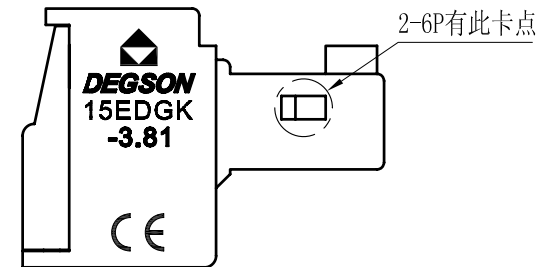
D 局部放大 (8:1)



SECTION A-A



VIEW B



Notes:

1. Pitch: 3.81mm Poles: 2-24p
2. Rated voltage/current: UL 300V/8A
VDE 250V/7A
3. Insulation resistance: 5000MΩ/DC1000V
4. Withstanding voltage: AC2000V/1Min
5. Wire range: 28-16AWG, 0.5-1.5mm²
6. Temp. Range: -40° C~+105° C
7. Torque: M2, 2.04kgf.cm
8. Undimensioned Tolerances:

ITEM	NAME OF PART	NO. OF PART	Q"TY	MATERIAL	NOTES
5	15EDG-Screws	S000001360 (H)	XX	Steel	Cr ³⁺ Zn
4	15EDG-Brass cage	X000000010 (H)	XX	Brass	Ni plated
3	15EDG-Clamp	1001B00010 (H)	XX	Phospor Bronze	Ni plated
2	15EDGK-3.81-Cover	1010COYXXA (H)	1	PA66	UL94V-0

ITEM	NAME OF PART	NO. OF PART	Q"TY	MATERIAL	NOTES																
1	15EDGK-3.81-Housing	1010A0YXXA (H)	1	PA66	UL94V-0																
<table border="1"> <tr> <td>MM (INCH)</td> <td>±</td> <td>DFTO Zhuwm</td> <td>DATE 07/24/04</td> </tr> <tr> <td>TOLERANCES EXCEPT AS NOTED</td> <td></td> <td>CHKD</td> <td>DATE</td> </tr> <tr> <td></td> <td></td> <td>MFO</td> <td>DATE</td> </tr> <tr> <td></td> <td></td> <td>APPVL</td> <td>DATE</td> </tr> </table>		MM (INCH)	±	DFTO Zhuwm	DATE 07/24/04	TOLERANCES EXCEPT AS NOTED		CHKD	DATE			MFO	DATE			APPVL	DATE	宁波高正电子有限公司 DEGSON ELECTRONICS CO., LTD			
MM (INCH)	±	DFTO Zhuwm	DATE 07/24/04																		
TOLERANCES EXCEPT AS NOTED		CHKD	DATE																		
		MFO	DATE																		
		APPVL	DATE																		
<table border="1"> <tr> <td>MM</td> <td>±</td> <td rowspan="3">MATERIAL :</td> </tr> <tr> <td>.00 ±</td> <td>±</td> </tr> <tr> <td>.000 ±</td> <td>±</td> </tr> </table>		MM	±	MATERIAL :	.00 ±	±	.000 ±	±	NAME 15EDGK-3.81-XXP-1Y-00A (H)												
MM	±	MATERIAL :																			
.00 ±	±																				
.000 ±	±																				
<table border="1"> <tr> <td>ANGLES ± 1°</td> <td>G.E :</td> <td>DRAWING NO. 15EDGK-3.81-E04</td> <td>SIZE A3</td> <td>REV T5</td> </tr> <tr> <td>THIRD ANGLE PROJECTION</td> <td>FINISH :</td> <td>/PART NO.</td> <td>12/26/08*</td> <td></td> </tr> </table>		ANGLES ± 1°	G.E :	DRAWING NO. 15EDGK-3.81-E04	SIZE A3	REV T5	THIRD ANGLE PROJECTION	FINISH :	/PART NO.	12/26/08*		DO NOT SCALE DRAWING SHEET 1 OF 1									
ANGLES ± 1°	G.E :	DRAWING NO. 15EDGK-3.81-E04	SIZE A3	REV T5																	
THIRD ANGLE PROJECTION	FINISH :	/PART NO.	12/26/08*																		