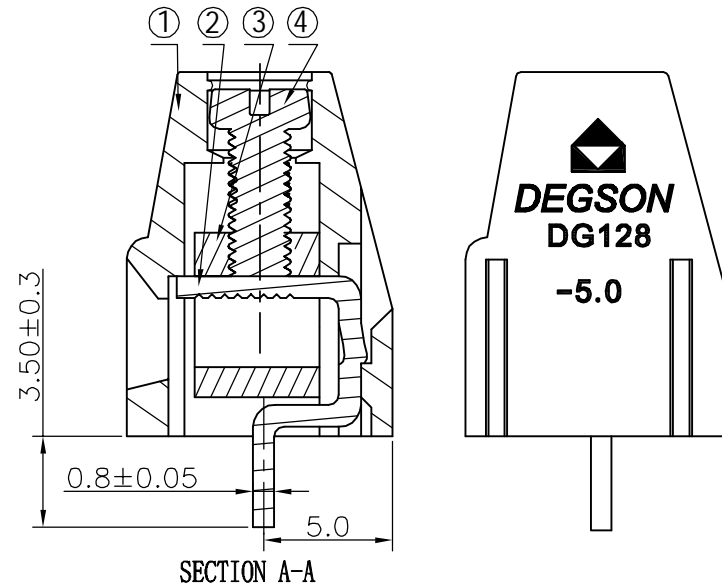
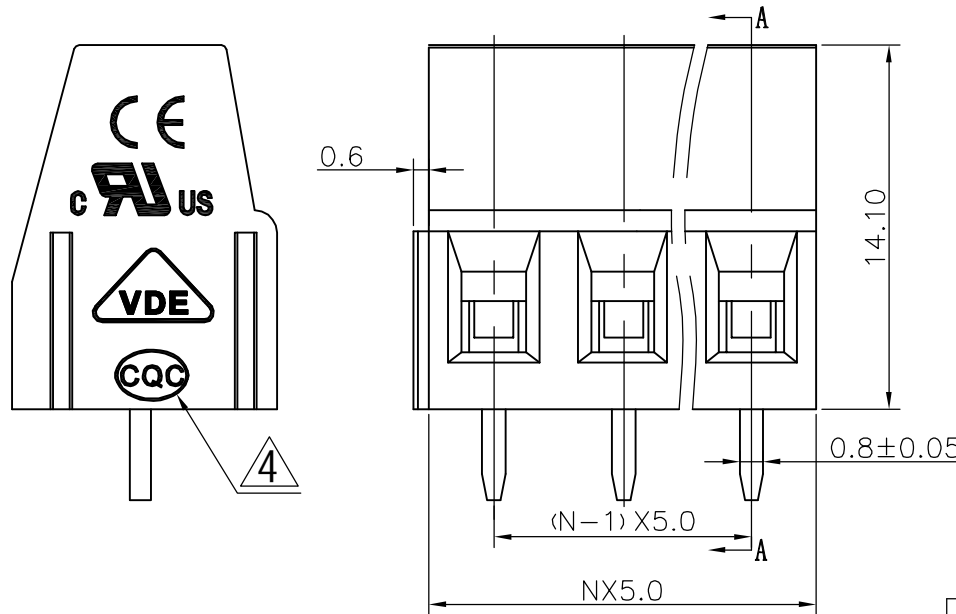
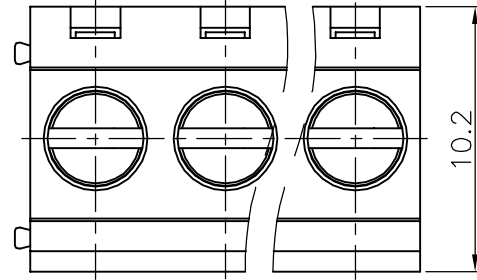


| REVISION RECORD | | | | |
|-----------------|---------|----------------|---------|-----------|
| REV | ECN | DESCRIPTION | DRFT | DATE |
| △ | | Drawing Revise | Haoyh | 03/22/06 |
| △ | | Drawing Revise | WF | 07/06/07* |
| △ | | 增加VDE、CE标志 | LJH | 11/09/07* |
| △ | | 增加CQC刻字 | Zengy | 02/10/09* |
| △ | 10-0246 | UL电流由10A变更为15A | Lasting | 08/04/10* |

Notes:

- Pitch:5.0mm , Poles:2-XXP
- Rated voltage/current:UL 300V/15A △
VDE 250V/18A
- Operation temperatures:-40℃~+105℃
- Withstanding Voltage:AC2000V/1Min
- Insulation Resistance:5000MΩ/DC1000V
- Wire Range:24~12AWG, 2.5mm²
- Max. Torque Value:M2.5, 4.08kgf.cm
- Undimensioned Tolerances:

| Pitch range in mm | | Nominal dimension range in mm | | | | | |
|-------------------|---------|-------------------------------|----------|----------|------------|------|---------|
| to | over | over | over | over | over | over | |
| 6 | 6 to 10 | 10 to 24 | 30 to 30 | 60 to 60 | 100 to 150 | 150 | — |
| ±0.10 | ±0.15 | ±0.25 | ±0.2 | ±0.3 | ±0.5 | ±0.7 | ±1.0 |
| | | | | | | | 0.05/10 |



| | | | | | |
|---|------------------|----------------|----|-------|---------------------|
| 4 | DG128"-Screws | S000001460 (H) | XX | Steel | Cr ³⁺ Zn |
| 3 | DG128-Cage | X000000020 (H) | XX | Brass | Ni plated |
| 2 | DG128-Pin header | 4027B00010 (H) | XX | Brass | SnCe |

| ITEM | NAME OF PART | NO. OF PART | Q'TY | MATERIAL | NOTES |
|------|-------------------|----------------|------|----------|---------|
| 1 | DG128-5.0-Housing | 4027A0YXXA (H) | 1 | PA66 | UL94V-0 |

| | | |
|--|--|--|
| DFTO DZJ DATE 01/13/05* CHKD DATE MFO DATE APPVL DATE MATERIAL : G.E : FINISH : SCALE : 1:1 THIRD ANGLE PROJECTION | 宁波高正电子有限公司 DEGSON ELECTRONICS CO., LTD NAME DG128-5.0-XXP-1Y-00A(H) DRAWING NO. DG128-5.0-E06 /PART NO. DO NOT SCALE DRAWING | SIZE A3 REV T5 08/04/10* SHEET 1 OF 1 |
|--|--|--|