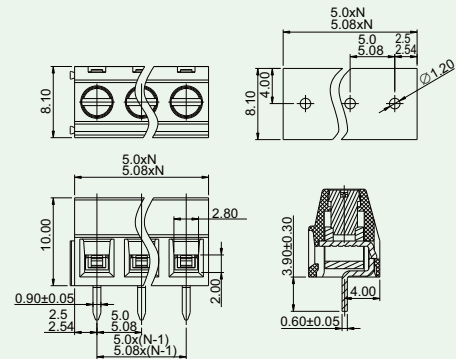
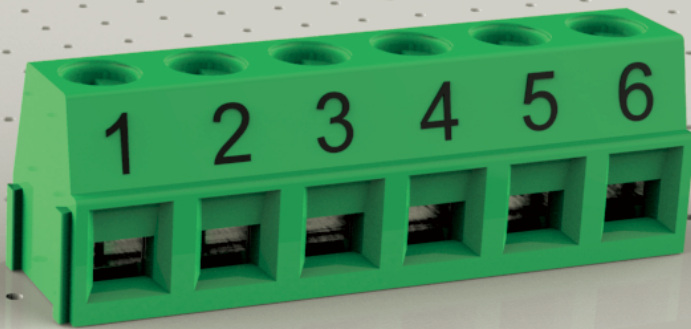


DG127...1000AH

- 螺丝由00AH的M2.5升级为M3；扭力由4.08kgf.cm提高到5.108kgf.cm；
- 提供钢螺丝（1000AH）、铜螺丝（2000AH）、不锈钢螺丝（3000AH）不同选择；
- 外观工艺升级；
- 最大线径；1.5mm²。
- Upgrade screws from M2.5(00AH) to M3；torque increased from 4.08kgf.cm to 5.108kgf.cm；
- Steel screws (1000AH), copper screws (2000AH), stainless steel screws (3000AH) is optional；
- Appearance upgrade；
- Max. wire range：1.5mm²。



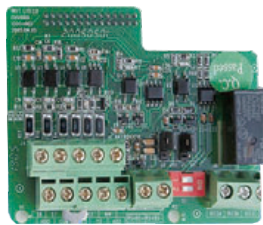
技术参数 Technical Data

APPROVAL: 

型号 Model	线径 Wire range	线数 Poles	EN60998技术参数 (EN60998 datasheet)		UL技术参数 (UL datasheet)	
			电压(V) Rated voltage	电流(A) Rated current	电压(V) Rated voltage	电流(A) Rated current
DG127-5.08	0.2-1.5mm ² /26-14AWG	02-24P	250	15	300	12
DG127-5.0	0.2-1.5mm ² /26-14AWG	02-24P	250	15	300	12

应用行业 Application

工业自动化、仪器仪表、电梯、电源等行业。
 Industrial automation, instrument, elevator, power supply etc.



型号对照 Cross Reference

DEGSON	同行1/ Competitor1	同行2/ Competitor2
DG127-5.0	MKDSN 1.5/X-5.0	ELK500V

产品包装方式 Packing

Product model	Pcs./Pkt.
DG127-5.08-02P	1000
DG127-5.08-03P	500
DG127-5.08-04P	1650
DG127-5.08-05P	1320
DG127-5.08-06P	1100
DG127-5.08-07P	965
DG127-5.08-08P	825
DG127-5.08-09P	730
DG127-5.08-10P	640
DG127-5.08-11P	600
DG127-5.08-12P	485

产品订货 How to order

Series No.	No. of Pole	通用色 General Color	Customer Request
DG127-5.08	X X P	4 Green	1 0 0 0 AH
		1 Grey	
		3 Black	
		2 Blue	