

1241 (3P+E 32A 380-415V~)



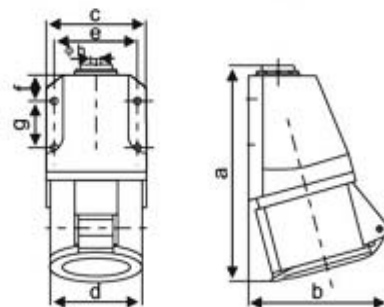
ZIP-2002.ru y

earth contact position		6h	
rated current(A)		16	32
	pole	4	
dimension(mm)	a	140	152
	b	95	104
	c	71	71
	d	56	64.5
	e	57	57
	f	20	20
	g	32.5	32.5
	h	6.5	6.5
cable nominal cross-section area(mm ²)		1-2.5	2.5-6

Current(A): 16A. 32A

Voltage(V): 380-415V~3P+E

Protection degree: IP44



3pol 4pol 5pol
4h 4h 4h

3pol 4pol 5pol
6h 9h 9h

3pol 4pol 5pol
9h 6h 6h

3pol 4pol 5pol
7h 7h 7h

3pol 4pol 5pol
10h 10h 10h

3pol 4pol 5pol
2h 2h 2h

极数

3
2P+E

4
3P+E

5
3P+N+E