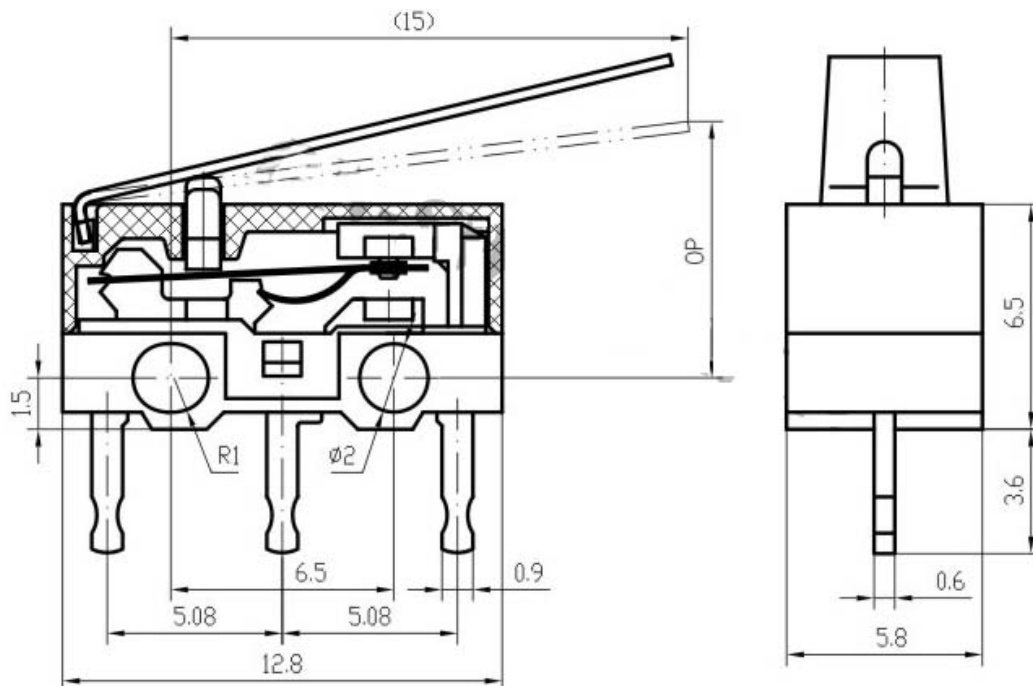


EM-03P 125V 1a



ZIP-2002.RU



The mian technology performance

enreltem		Value
Operating Speed		1mm~500mm(related with actuator forms)
Operating frequency		Mechanical 60cycles/min; Electrical 25cycles/min
Insulation resistance		≥100MΩ(500VDC)
Contact resistance		OF≤0.75N:≤30mΩ OF≤0.75N:≤50 mΩ
Test voltage	Between terminals of the same polarity	AC 600V,50/60Hz,1min
	Between current-carrying mental parts and ground, and between each terminal and non-current-carrying metal parts	AC 1000V,50/60Hz,1min
Vibration resistance		10~55Hz,1.5mm Double amplitude
Shock resistance		Malfunction:300/s² (approx.30)max

Life	Mechanical $\geq 1,000,000$ cycles Electrical $\geq 10,000$ cycles
Safety approvals	CE, UL, CQC

Specification	
Micro Switch	Specification
Rating	1A 125V AC
Contact resistance	30m Ω max
Insulation resistance	100M Ω min at 250V DC
Dielectric strength	AC 1000V for 1 min
Lifespan	30,000 Cycles
Practical temperature range	-25 to 65 degrees Celsius
<p>[Warm Tips] All informations above are for reference only; Particulars of all items are base on individual specification.</p>	